

# AETHER 3.5" SHALLOW IC LED DOWNLIGHT

Downlight Trim - R3ARDT, R3ASDT

# WAC LIGHTING

Responsible Lighting®



Fixture Type:

Catalog Number:

Project: \_\_\_\_\_

Location: \_\_\_\_\_

## PRODUCT DESCRIPTION

Shallow housing that is designed to fit in tight plenum spaces without sacrificing lumen output.

## FEATURES

- Designed to fit in tight plenum
- Wet location listed for trims
- 3.5" trim aperture, 3.5" housing height
- 35° cut-off angle
- Universal input voltage (120V-277V)
- 5 year WAC Lighting product warranty
- Title 24 Compliant
- Energy Star® rated

## SPECIFICATIONS

**Construction:** Die-cast aluminum trim with extruded aluminum heat sink  
**Dimming:** 100% - 0% with 0-10V dimmer  
 100% - 5% with Electronic Low Voltage (ELV) dimmer  
**Input:** 120V-277V AC  
**Power:** 15.5W, power factor 0.98  
**Mounting:** Retention clips firmly hold trim to housing.  
**Finish:** Powder coated white, black and white, enamel coated haze, brushed nickel.  
**Ceiling thickness:** ½" - 1½"  
**Standards:** ETL & cETL Listed, Wet location listed trims  
 IC-rated airtight housing with available Chicago plenum version.

## TRIM (SEE NEXT PAGE FOR HOUSING)

	Beam	Color Temp	CRI	Lumen	CBCP	Finish	Interior/Trim
<b>R3ARDT</b> Round 	<b>N</b> 25°	<b>827</b> 2700K	85	1130	3515	<b>HZWT</b> <b>WT</b> <b>BKWT</b> <b>BN</b>	Haze/White White Black/White Brushed Nickel
		<b>927</b> 2700K	90	940	2930		
		<b>830</b> 3000K	85	1175	3660		
		<b>930</b> 3000K	90	980	3050		
		<b>835</b> 3500K	85	1210	3740		
		<b>840</b> 4000K	85	1220	3810		
<b>R3ASDT</b> Square 	<b>F</b> 45°	<b>827</b> 2700K	85	1080	1630	<b>HZWT</b> <b>WT</b> <b>BKWT</b> <b>BN</b>	Haze/White White Black/White Brushed Nickel
		<b>927</b> 2700K	90	900	1356		
		<b>830</b> 3000K	85	1130	1695		
		<b>930</b> 3000K	90	940	1410		
		<b>835</b> 3500K	85	1160	1745		
		<b>840</b> 4000K	85	1175	1765		
<b>R3ARDT</b> Round 	<b>N</b> 25°	<b>827</b> 2700K	85	1130	3515	<b>HZWT</b> <b>WT</b> <b>BKWT</b> <b>BN</b>	Haze/White White Black/White Brushed Nickel
		<b>927</b> 2700K	90	940	2930		
		<b>830</b> 3000K	85	1175	3660		
		<b>930</b> 3000K	90	980	3050		
		<b>835</b> 3500K	85	1210	3740		
		<b>840</b> 4000K	85	1220	3810		
<b>R3ASDT</b> Square 	<b>F</b> 45°	<b>827</b> 2700K	85	1080	1630	<b>HZWT</b> <b>WT</b> <b>BKWT</b> <b>BN</b>	Haze/White White Black/White Brushed Nickel
		<b>927</b> 2700K	90	900	1356		
		<b>830</b> 3000K	85	1130	1695		
		<b>930</b> 3000K	90	940	1410		
		<b>835</b> 3500K	85	1160	1745		
		<b>840</b> 4000K	85	1175	1765		

R3A\_DT-\_\_\_\_\_ - \_\_\_\_\_

Example: R3ARDT-N930-HZWT

waclighting.com  
 Phone (800) 526.2588  
 Fax (800) 526.2585

Headquarters/Eastern Distribution Center  
 44 Harbor Park Drive  
 Port Washington, NY 11050

Central Distribution Center  
 1600 Distribution Ct  
 Lithia Springs, GA 30122

Western Distribution Center  
 1750 Archibald Avenue  
 Ontario, CA 91760

# AETHER 3.5" SHALLOW IC LED DOWNLIGHT

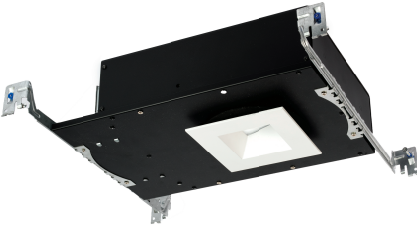
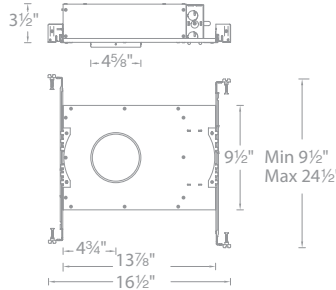
# WAC LIGHTING

Housing - HR-3LED-H17A

Responsible Lighting®

## HOUSING

## Model

 <p><i>Shown with open square white trim</i></p>		<b>HR-3LED-H17A</b>	<i>New Construction IC-rated, Airtight</i>
		<b>HR-3LED-H17AC</b>	<i>New Construction IC-rated, Airtight Chicago Plenum</i>

## HR-3LED-H17 \_\_\_\_\_


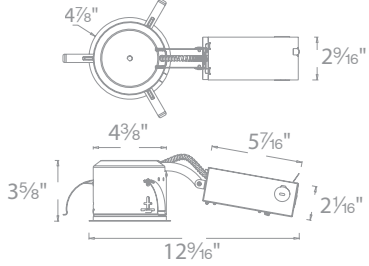
Example: **HR-3LED-H17A**

# AETHER 3.5" SHALLOW IC LED DOWNLIGHT

Housing - HR-3LED-R15A

## HOUSING

## Model

		<b>HR-3LED-R15A</b>	<i>Remodel IC-rated, Airtight</i>

## HR-3LED-R15 \_\_\_\_\_

Example: **HR-3LED-R15A**

wacighting.com  
Phone (800) 526.2588  
Fax (800) 526.2585

Headquarters/Eastern Distribution Center  
44 Harbor Park Drive  
Port Washington, NY 11050

Central Distribution Center  
1600 Distribution Ct  
Lithia Springs, GA 30122

Western Distribution Center  
1750 Archibald Avenue  
Ontario, CA 91760