

Fixture Type: _____

Catalog Number: _____

Project: _____

Location: _____

Latitude

Outdoor Wall Sconce 3000K

Model & Size	Color Temp & CRI	Finish	Watt	LED Lumens	Delivered Lumens	Title 24
WS-W52610 10"	3000K 90	BK Black	12W	765	415	Yes
	3000K 90	BZ Bronze	12W	765	415	No
	3000K 90	TT Titanium	12W	765	415	No

Example: **WS-W52610-BK**

• For 277V special order, add an "F" before the finish: WS-W52620F-BZ

DESCRIPTION

Classic architectural lighting forms that pair well with a multitude of commercial applications, offered in a variety of sizes and finish options. Latitude features an etched opal glass diffuser that provides even illumination with a solid die-cast aluminum construction and powder coated finish. The light engine is factory sealed for maximum protection against the harshest elements.

FEATURES

- Classic architectural look that pairs well with a multitude of commercial applications
- Weather resistant powder coated finishes
- Light engine factory sealed for maximum protection from the elements
- Etched opal glass diffuser provides even illumination
- Title 24 may not be available for all finishes, check for availability
- ACLED driverless technology
- 5 year warranty

SPECIFICATIONS

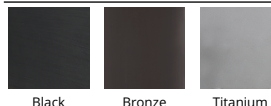
Color Temp:	3000K
Input:	120 VAC, 50/60Hz
CRI:	90
Dimming:	ELV: 100-10%, ELV: 100 - 10%
Rated Life:	44000 Hours, 50000 Hours
Mounting:	Can be mounted on wall in all orientations
Standards:	ETL, cETL, IP65, Title 24 JA8-2016 Compliant, Title 24: Wet Location Listed
Construction:	Aluminum hardware with glass diffuser

REPLACEMENT PARTS

RPL-GLA-52610 - Glass for WS-W52610

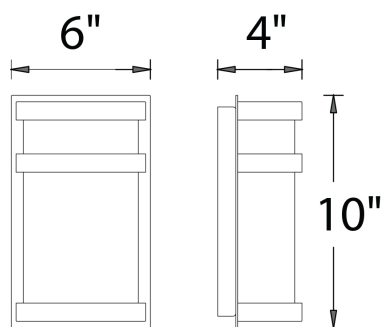


FINISHES



Black Bronze Titanium

LINE DRAWING



WS-W52610

Fixture Type: _____

Catalog Number: _____

Project: _____

Location: _____

Latitude

Outdoor Wall Sconce 3000K

Model & Size	Color Temp & CRI	Finish	Watt	LED Lumens	Delivered Lumens	Title 24
WS-W52614 14"	3000K 90	BK Black	17.5W	1255	735	Yes
	3000K 90	BZ Bronze	17.5W	1255	735	No

Example: **WS-W52614-BK**

- For 277V special order, add an "F" before the finish: WS-W52620F-BZ

DESCRIPTION

Classic architectural lighting forms that pair well with a multitude of commercial applications, offered in a variety of sizes and finish options. Latitude features an etched opal glass diffuser that provides even illumination with a solid die-cast aluminum construction and powder coated finish. The light engine is factory sealed for maximum protection against the harshest elements.

FEATURES

- Classic architectural look that pairs well with a multitude of commercial applications
- Weather resistant powder coated finishes
- Light engine factory sealed for maximum protection from the elements
- Etched opal glass diffuser provides even illumination
- Title 24 may not be available for all finishes, check for availability
- ACLED driverless technology
- 5 year warranty

SPECIFICATIONS

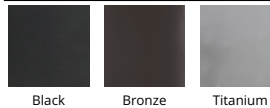
Color Temp:	3000K
Input:	120 VAC, 50/60Hz
CRI:	90
Dimming:	ELV: 100-10%, ELV: 100 - 10%
Rated Life:	44000 Hours, 50000 Hours
Mounting:	Can be mounted on wall in all orientations
Standards:	ETL, cETL, IP65, Title 24 JA8-2016 Compliant, Title 24: Wet Location Listed
Construction:	Aluminum hardware with glass diffuser

REPLACEMENT PARTS

RPL-GLA-52614 - Glass for WS-W52614

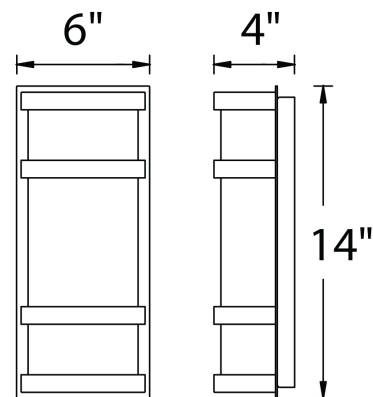


FINISHES



Black Bronze Titanium

LINE DRAWING



WS-W52614

Fixture Type: _____

Catalog Number: _____

Project: _____

Location: _____

Latitude

Outdoor Wall Sconce 3000K

Model & Size	Color Temp & CRI	Finish	Watt	LED Lumens	Delivered Lumens	Title 24
WS-W52620 20"	3000K 90	BK Black	19W	1220	790	Yes
	3000K 90	BZ Bronze	19W	1220	790	No

Example: **WS-W52620-BK**

- For 277V special order, add an "F" before the finish: WS-W52620F-BZ

DESCRIPTION

Classic architectural lighting forms that pair well with a multitude of commercial applications, offered in a variety of sizes and finish options. Latitude features an etched opal glass diffuser that provides even illumination with a solid die-cast aluminum construction and powder coated finish. The light engine is factory sealed for maximum protection against the harshest elements.

FEATURES

- Classic architectural look that pairs well with a multitude of commercial applications
- Weather resistant powder coated finishes
- Light engine factory sealed for maximum protection from the elements
- Etched opal glass diffuser provides even illumination
- Title 24 may not be available for all finishes, check for availability
- ACLED driverless technology
- 5 year warranty

SPECIFICATIONS

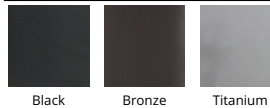
Color Temp:	3000K
Input:	120 VAC, 50/60Hz
CRI:	90
Dimming:	ELV: 100-10%, ELV: 100 - 10%
Rated Life:	44000 Hours, 50000 Hours
Mounting:	Can be mounted on wall in all orientations
Standards:	ETL, cETL, IP65, Title 24 JA8-2016 Compliant, Title 24: Wet Location Listed
Construction:	Aluminum hardware with glass diffuser

REPLACEMENT PARTS

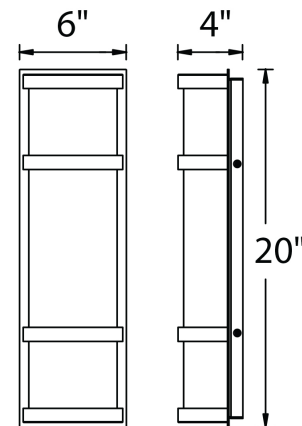
RPL-GLA-52620 - Glass for WS-W52620



FINISHES



LINE DRAWING



WS-W52620