

# INSTALLATION INSTRUCTION

## 776 - Vanities & Wall Sconce

WS-77612/ WS-77618/ WS-77624/ WS-77636

# WAC LIGHTING

Responsible Lighting®

### WARNING

IMPORTANT: NEVER attempt any work without shutting off the electricity.

- Read all instructions before installing.
- System is intended for installation by a qualified electrician in accordance with the National Electrical Code and local regulations.
- Go to the main fuse box, or circuit breaker. Place the main power switch in the "OFF" position and unscrew the fuse(s) or switch "OFF" the circuit breaker switch(es) that control the power to the fixture or room that you are working on.
- Place the wall switch in the "OFF" position.

### CAUTION

- All parts must be used as indicated in these instructions. Do not substitute any parts, leave parts out, or use any parts that are worn out or broken. Failure to follow this instruction could invalidate the ETL/CETL listing of this fixture.  
CAUTION When handling the fixture, do not apply pressure to the LEDs. Hold the fixture by the base only.

### AVERTISSEMENT

IMPORTANT : Coupez l'électricité avant TOUTE manipulation.

- Lisez toutes les instructions avant d'installer.
- Système est destiné à être installé par un électricien qualifié en conformité avec le code national de l'électricité et les règlements locaux.
- Accédez au panneau central de disjoncteurs ou de fusibles de votre demeure et placez l'interrupteur principal en position d'arrêt (« OFF »).
- Placez l'interrupteur mural en position d'arrêt (« OFF »).

### MISE EN GARDE

- Toutes les pièces doivent être utilisées tel qu'il est indiqué dans ces instructions. Ne remplacez pas les pièces, n'en laissez pas de côté et ne les utilisez pas si elles sont usées ou brisées. Le non-respect de ces instructions peut annuler l'homologation ETL/CETL du luminaire. MISE EN GARDE Ors de la manipulation de l'appareil, ne pas appliquer de pression à la LED, tenir l'appareil par la seule base.

### ADVERTENCIA

IMPORTANTE: NUNCA intente hacer trabajos sin desconectar el suministro eléctrico.

- Lea y comprenda todas las instrucciones e ilustraciones por completo antes de proceder con el ensamblaje e instalación de esta lámpara.
- Sistema está diseñado para ser instalado por un electricista calificado, de acuerdo con el código eléctrico nacional y las normas locales.
- Diríjase a la caja de fusibles o a la caja del interruptor de circuito principal en su hogar. Coloque el interruptor de alimentación principal en la posición "OFF" (APAGADO).
- Coloque el interruptor de la pared en la posición "OFF" (APAGADO).

### PRECAUCIÓN

- Todas las piezas deben usarse como lo indican estas instrucciones. No reemplace las piezas, no omita piezas durante la instalación ni utilice piezas gastadas o rotas. El incumplimiento de esta indicación podría invalidar la calificación ETL/CETL esta lámpara. PRECAUCIÓN Al manipular el aparato, no aplique presión a los LED, mantenga el aparato en la base sólo.

### HARDWARE

**A**



Wire Connector  
Qty: 3pcs+1Extra  
7EAC112201  
P3

**B**



Mounting Screw  
Qty: 1 Extra  
7MPF0412S1(AL)  
4MPF0412S2SB(BR)  
5/32"-32x1/2  
Nickel Plating / Brass Plating

**C**



Junction Box Screw  
Qty: 2+1 Extra  
7MPF0808C1  
#8-32x5/16  
Nickel

**D**



Mounting Ring  
Qty: 1 pc  
7MBC101501

**E**



Conversion Plate  
Qty: 1 pc  
4MBA121109BA : WS-77612(AL)  
4MBC121112SB : WS-77612(BR)  
4MBA151110BA : WS-77618(AL)  
4MBC151110SB : WS-77618(BR)  
4MBA171110BA : WS-77624(AL)  
4MBC171111SB : WS-77624(BR)  
4MBA201104BA : WS-77636(AL)  
4MBC201105SB : WS-77636(BR)  
Brushed Alum / Brass Plating

**F**



Assembly Screw  
Qty: 2+1 Extra  
7MPF0415C2  
#8-32x9/16  
Stainless steel

**G**



Driver  
Qty: 1 pc  
4LD-700MA16U-IS-P(WS-77612)  
4LD-700MA28U-IS-P(WS-77618)  
4LD-700MA28U-IS-P(WS-77624)  
4LD-700MA28U-IS-P(WS-77636)

waclighting.com

Phone (800) 526.2588

Fax (800) 526.2585

Headquarters/Eastern Distribution Center

44 Harbor Park Drive

Port Washington, NY 11050

Central Distribution Center

1600 Distribution Ct

Lithia Springs, GA 30122

Western Distribution Center

1750 Archibald Avenue

Ontario, CA 91760



INSTALLATION INSTRUCTION  
**776 - Vanities & Wall Sconce**  
 WS-77612/ WS-77618/ WS-77624/ WS-77636

WAC LIGHTING  
 Responsible Lighting®

FIG. 1 MOUNT ON SWITCH

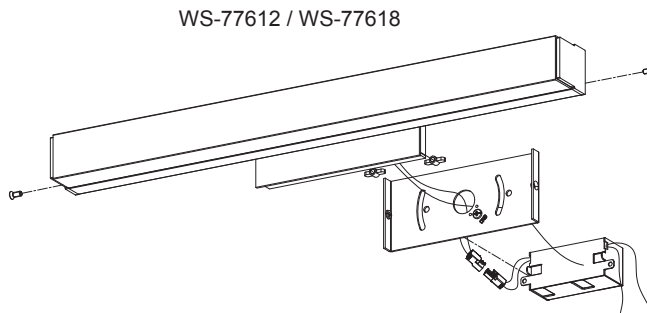
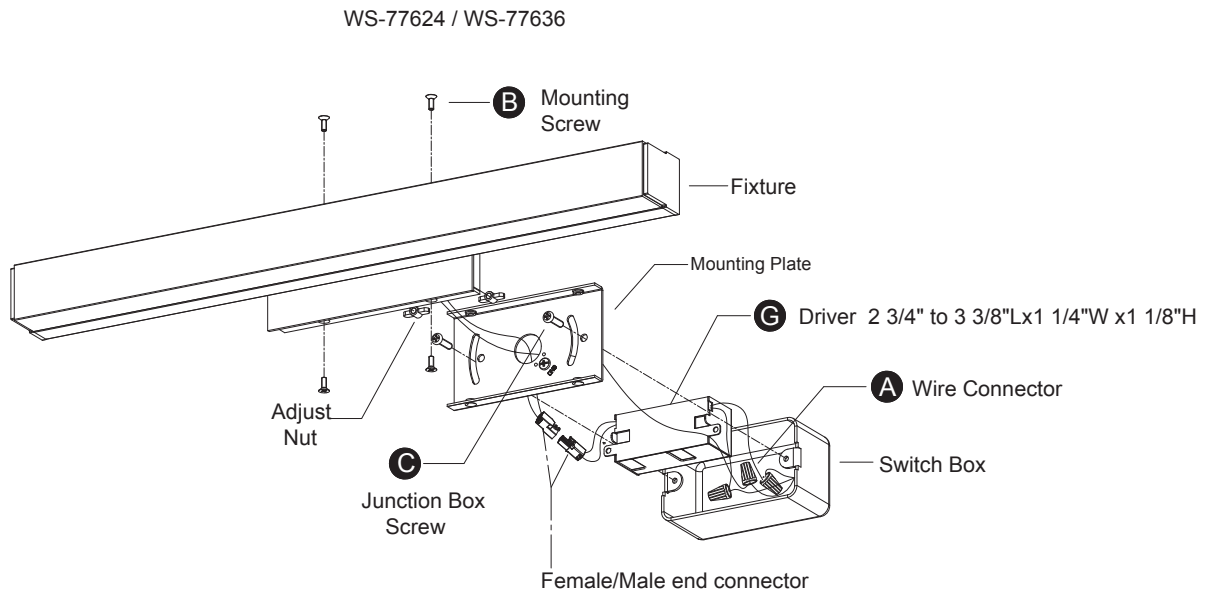
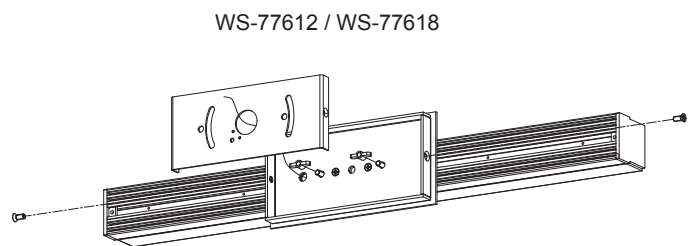
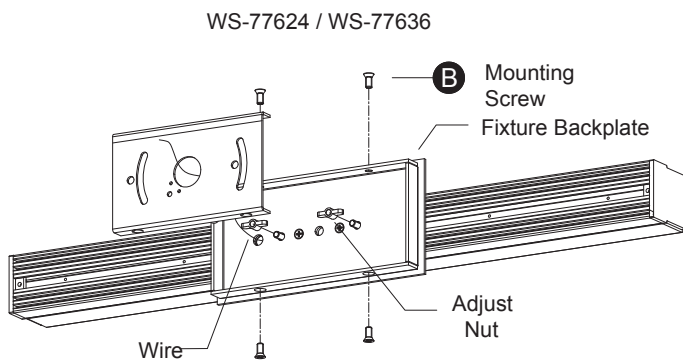


FIG.2 MOUNT ON JUNCTION BOX



wacighting.com  
 Phone (800) 526.2588  
 Fax (800) 526.2585

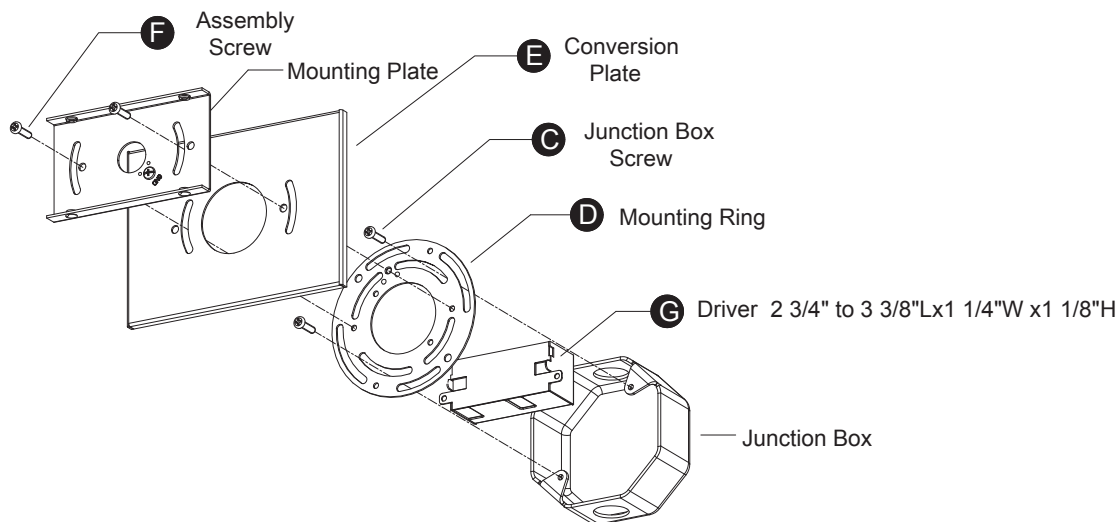
Headquarters/Eastern Distribution Center  
 44 Harbor Park Drive  
 Port Washington, NY 11050

Central Distribution Center  
 1600 Distribution Ct  
 Lithia Springs, GA 30122

Western Distribution Center  
 1750 Archibald Avenue  
 Ontario, CA 91760



FIG.3



**PREPARATION**

1. Shut off the power at the circuit breaker and remove existing fixture, including the crossbar.
2. Carefully unpack your new fixture and lay out all the parts on a clear area. Be careful not to lose any small parts necessary for installation.

**MOUNT ON SWITCH BOX (Fig. 1)**

3. Remove the mounting screw (B) from the fixture.
4. Connect the driver (G) input wire to switch box wires as shown in Fig. 4, making sure that all wire connectors (A) are secured. If your outlet box has a green or bare copper ground wire, connect the fixture's ground wire to it. Otherwise, connect the fixture's ground wire directly to the back plate using the green screw provided. After wires are connected, tuck them carefully inside the switch box.
- \* **Requires Driver to be recessed within the switch box. the hole mounting extensions on the driver are trimmable/foldable for tighter junction box fitment.**
5. Secure the mounting plate to the switch box using the junction box screw (C). The side of the mounting plate marked "GND" must face out. tuck them carefully inside the junction box.
6. The back plate location for this fixture is adjustable. First loosen both adjustable nuts by turning counterclockwise. Second adjust the back plate to your desired location. Third, pull and tighten the electrical wire. Lastly, secure the back plate by turning both adjustable nuts clockwise.
7. Connect the driver(G)output wires to the fixture by Female/Male end connector as shown in Fig1
8. Place the fixture over the mounting plate, and secure it with mounting screw (B).

OR

**MOUNT ON JUNCTION BOX (Fig. 2)**

3. Remove the mounting screw (B) from the fixture.

# INSTALLATION INSTRUCTION

## 776 - Vanities & Wall Sconce

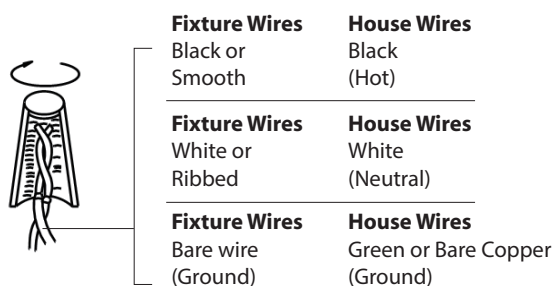
WS-77612/ WS-77618/ WS-77624/ WS-77636

# WAC LIGHTING

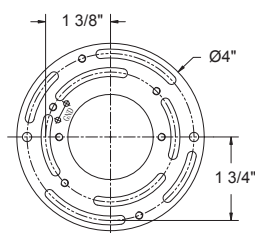
Responsible Lighting®

4. Connect the driver (G) input wire to junction box wires as shown in Fig. 4, making sure that all wire connectors (A) are secured. If your outlet box has a green or bare cooper ground wire, connect the fixture's ground wire to it. Otherwise, connect the fixture's ground wire directly to the back plate using the green screw provided. After wires are connected, tuck them carefully inside the switch box.
- \* **Requires driver to be recessed within the junction box. the hole mounting extensions on the driver are trimmable/foldable for tighter junction box fitment.**
5. Secure the mounting ring to the junction box using the junction box screw (C). Make sure the two holes (Spacing 2-3/4") are horizontal as shown in Fig. 2. The side of the mounting plate marked "GND" must face out.
6. Secure the mounting plate and conversion plate (E) to the mounting ring with assembly screw (F).
7. The back plate location for this fixture is adjustable. First loosen both adjustable nuts by turning counterclockwise. Second adjust the back plate to your desired location. Third, pull and tighten the electrical wire. Lastly, secure the back plate by turning both adjustable nuts clockwise.
8. Connect the driver(G)output wires to the fixture by Female/Male end connector as shown in Fig2.
9. Place the fixture over the mounting plate, and secure it with mounting screw (B).

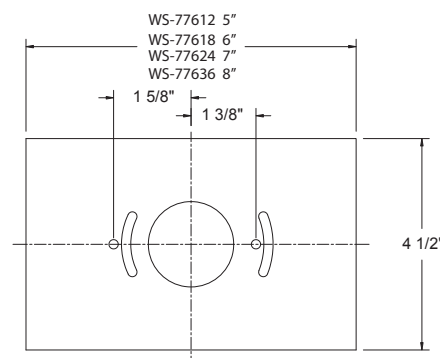
Fig.4 Wiring



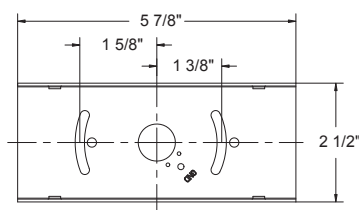
Mounting Ring Dimensions  
7MBC101501



Conversion Plate



Back Plate Dimensions  
7MBC156402:WS-77624 / WS-77636



Back Plate Dimensions  
WS-77612 : 7MBC106002  
WS-77618 : 7MBC116501

