

INSTALLATION INSTRUCTION

Oculux Architectural 3.5" Dim-To-Warm

R3CRN-13-WD, R3CSN-13-WD, R3CRN-16-WD, R3CSN-16 -WD

SAFETY INSTRUCTION

IMPORTANT: NEVER attempt any work without shutting off the electricity.

- Read all instructions before installing.
- System is intended for installation by a qualified electrician in accordance with the National Electrical Code and local regulations.
- Go to the main fuse box, or circuit breaker. Place the main power switch in the "OFF" position and unscrew the fuse(s) or switch "OFF" the circuit breaker switch(es) that control the power to the fixture or room that you are working on.
- Place the wall switch in the "OFF" position.

AVERTISSEMENT

IMPORTANT : Coupez l'électricité avant TOUTE manipulation.

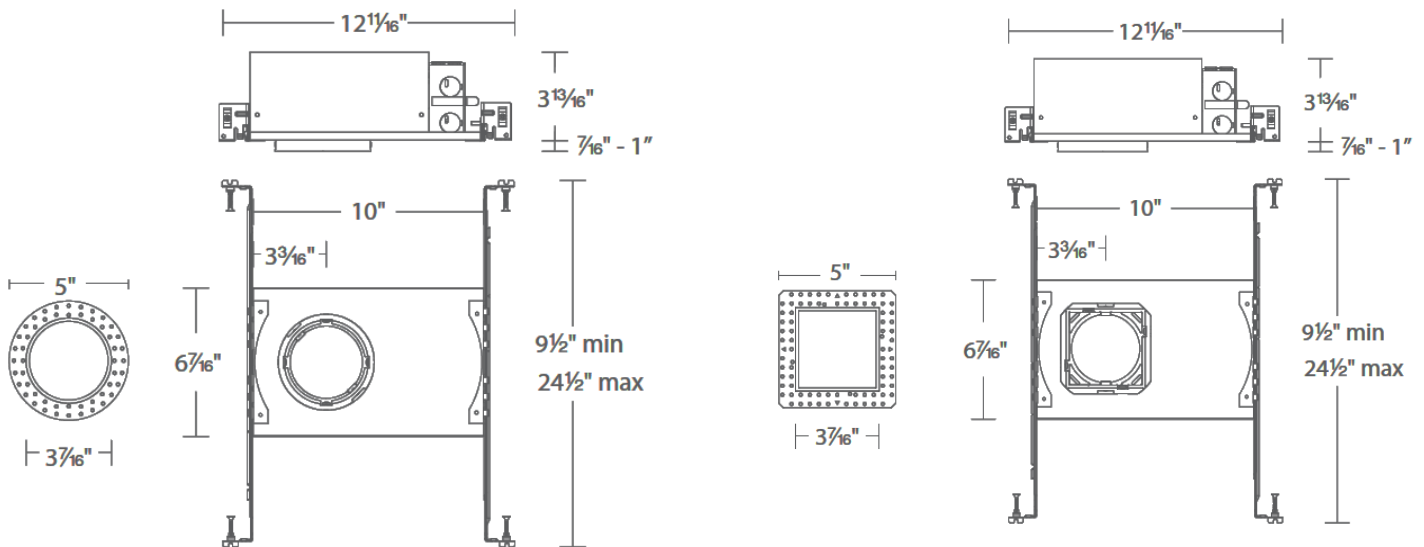
- Lisez toutes les instructions avant d'installer.
- Système est destiné à être installé par un électricien qualifié en conformité avec le code national de l'électricité et les règlements locaux.
- Accédez au panneau central de disjoncteurs ou de fusibles de votre demeure et placez l'interrupteur principal en position d'arrêt (« OFF »).
- Placez l'interrupteur mural en position d'arrêt (« OFF »).

CAUTION:

All parts must be used as indicated in these instructions. Do not substitute any parts, leave parts out, or use any parts that are worn out or broken. Failure to follow this instruction could invalidate the UL/cUL listing of this fixture.

OVERVIEW:

Housing is new construction airtight . Housing requires a trim for a finished look. Refer to specification sheets for compatible trim options.



SPECIFICATIONS	
Input :	120-277V, 50/60Hz
Installation :	IC: (-13-WD Models) Non IC: (-16-WD Models)
Dimming :	ELV / TRIAC / 0-10V

wacighting.com
Phone (800) 526.2588
Fax (800) 526.2585

Headquarters/Eastern Distribution Center
44 Harbor Park Drive
Port Washington, NY 11050

Central Distribution Center
1600 Distribution Ct
Lithia Springs, GA 30122

Western Distribution Center
1750 Archibald Avenue
Ontario, CA 91760

INSTALLATION INSTRUCTION

Oculux Architectural 3.5" Dim- To-Warm

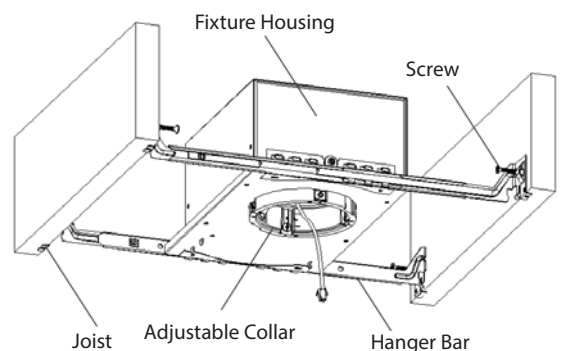
R3CRN-13-WD, R3CSN-13-WD, R3CRN-16-WD, R3CSN-16-WD

WAC LIGHTING

HOUSING INSTALLATION:

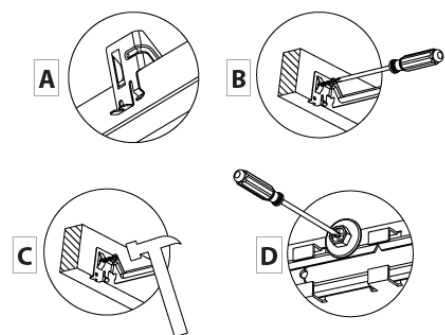
1. Install housing using two hanger bars (24½" max). Bars are notched on the ends to fit over "T" bars in suspended ceilings (See FIG. 2A).
2. Hanger bars include a captive mounting "screw-nail" for ease of installation (See FIG. 1). Align the bottom of the hanger bar with the bottom of the wood joist. Secure the "screw-nail" on each end by screwdriver (See FIG. 2B), or by hammer (See FIG. 2C).
3. Slide fixture housing along bar hangers into desired location. Use locking screws to secure (See FIG. 2D).

FIG 1



4. To shorten hanger bars to fit in a 12" joist, snap off one section of the hanger bars (See FIG. 3).
5. Remove spring latched fixture junction box door and connect fixture wires to building wires: Insert each supply wire into appropriate junction box wire connector. This fixture features electronic low voltage (ELV) or TRIAC or 0-10V dimming capabilities (See FIG. 4).

FIG 2



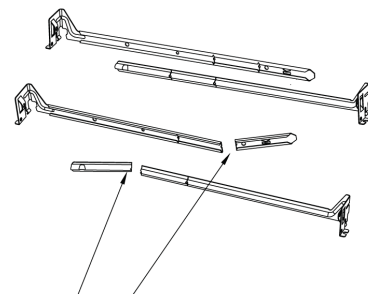
To utilize ELV or TRIAC, wire black (line hot), white (line neutral) and green (ground) in accordance to dimmer specifications.

To utilize 0-10V dimming, wire purple (dim+), gray (dim-), black (line hot), white (line neutral) and green (ground) in accordance to dimmer specifications.

When not using a dimmer, connect black fixture wire to hot, white fixture wire to neutral and green fixture wire to ground. Leave all other wires capped individually.

6. Place all wiring and connectors back in junction box and replace the junction box's cover.

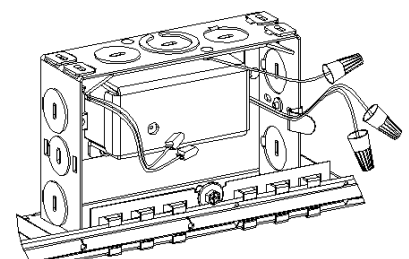
FIG 3



Snap off one section fit in a 12" joist

FIG 4

Black - Hot
Green - Ground
White - Neutral
Violet - Dim +
Gray - Dim -



wacighting.com
Phone (800) 526.2588
Fax (800) 526.2585

Headquarters/Eastern Distribution Center
44 Harbor Park Drive
Port Washington, NY 11050

Central Distribution Center
1600 Distribution Ct
Lithia Springs, GA 30122

Western Distribution Center
1750 Archibald Avenue
Ontario, CA 91760

INSTALLATION INSTRUCTION

Oculux Architectural 3.5" Dim-To-Warm

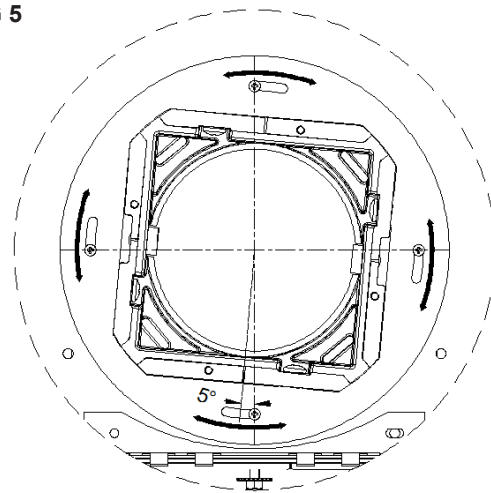
R3CRN-13-WD, R3CSN-13-WD, R3CRN-16-WD, R3CSN-16-WD

WAC LIGHTING

Responsible Lighting®

7. For the square housing, rotate the collar frame as necessary should additional adjusting be needed for field alignment. (See FIG. 5).

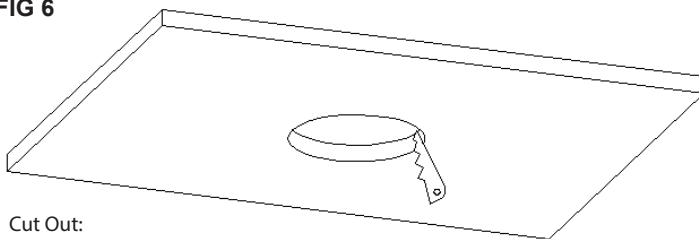
FIG 5



8. Cut a $\Phi 4\frac{1}{4}$ " or $4\frac{1}{4}$ " $\times 4\frac{1}{4}$ " hole in the ceiling at the point of installation and install ceiling (See FIG. 6).

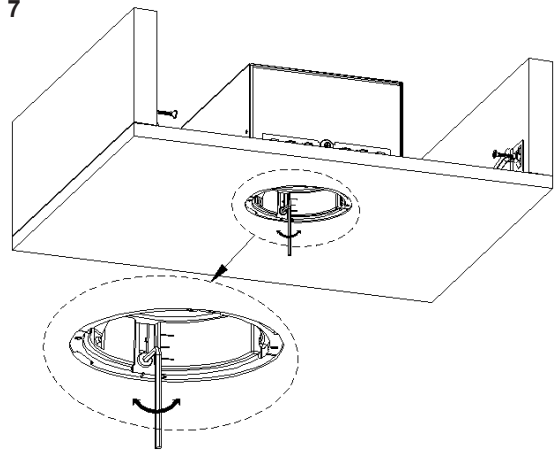
9. To account for ceiling thickness, adjust the depth of the adjustable collar using an allen wrench (See FIG. 7) until button of adjustable collar is in flush with the ceiling surface.

FIG 6



Cut Out:
Round: $\phi 4\frac{1}{4}$ "
Square: $4\frac{1}{4}$ " $\times 4\frac{1}{4}$ "

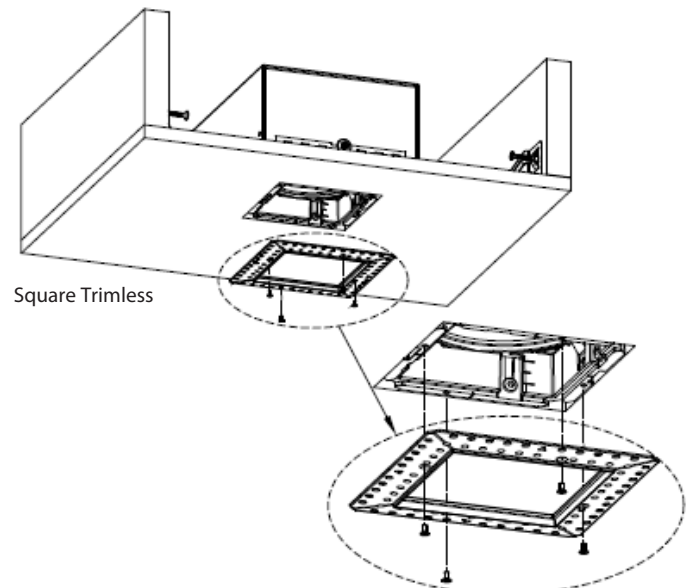
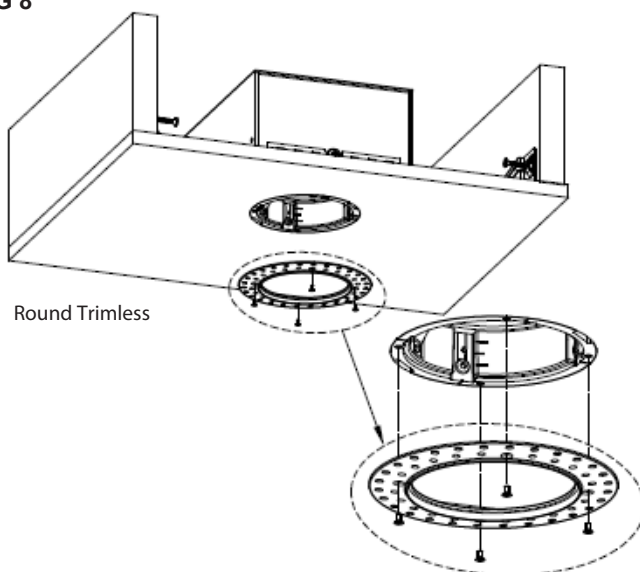
FIG 7



For trimless installations, follow Steps 10-11. Trimmed Installation go to Step 12.

10. Secure the trimless frame to the housing using the four screws provided (See FIG. 8.)

FIG 8



wacighting.com
Phone (800) 526.2588
Fax (800) 526.2585

Headquarters/Eastern Distribution Center
44 Harbor Park Drive
Port Washington, NY 11050

Central Distribution Center
1600 Distribution Ct
Lithia Springs, GA 30122

Western Distribution Center
1750 Archibald Avenue
Ontario, CA 91760

INSTALLATION INSTRUCTION

Oculux Architectural 3.5" Dim-To-Warm

R3CRN-13-WD, R3CSN-13-WD, R3CRN-16-WD, R3CSN-16-WD

WAC LIGHTING

Responsible Lighting®

11. Insert the plaster shield into opening of housing. Apply plaster or spackle over trimless front and sand surface when dry for finished look. Remove plaster shield when finishing is complete. (See Fig. 9-10)

FIG 9

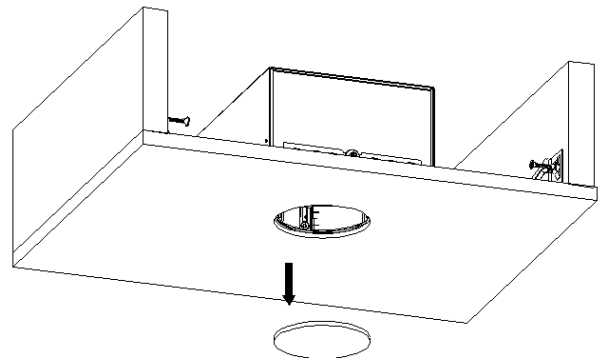
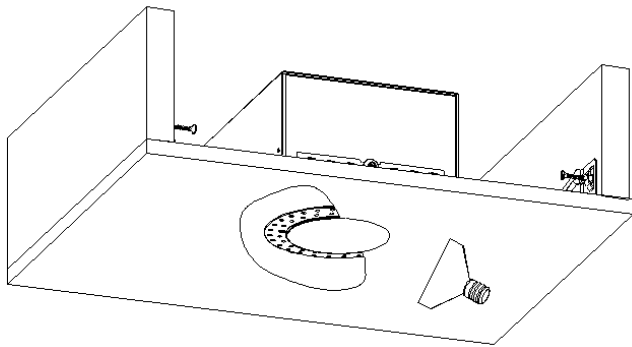


FIG 10



12. Prior to installing the light engine into housing, adjust fixture to desired beam angle. Light engine comes factory installed with narrow flood optic. To adjust to flood, add "F" optical film. Films install behind optical holder and in front of lens, the glossy side facing outward. (See Fig. 11-12).

FIG 11

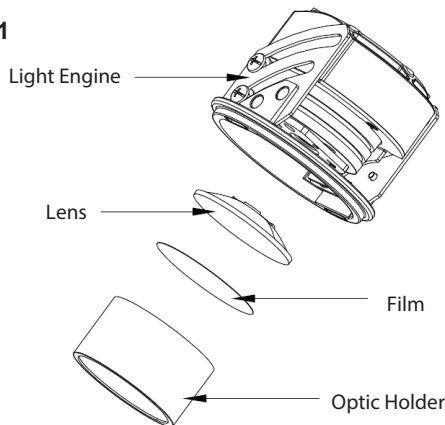


FIG 12

DO NOT DISCARD RETAIN OPTICAL FILMS FOR FUTURE USE	
<u>FIXTURE BEAM</u>	<u>OPTICAL FILM</u>
NARROW FLOOD:	NO FILM
FLOOD:	FILM MARKED WITH "F" (IN PACKET BY FACTORY)
WALL WASH:	NO FILM

wacighting.com
Phone (800) 526.2588
Fax (800) 526.2585

Headquarters/Eastern Distribution Center
44 Harbor Park Drive
Port Washington, NY 11050

Central Distribution Center
1600 Distribution Ct
Lithia Springs, GA 30122

Western Distribution Center
1750 Archibald Avenue
Ontario, CA 91760

INSTALLATION INSTRUCTION

Oculux Architectural 3.5" Dim-To-Warm

R3CRN-13-WD, R3CSN-13-WD, R3CRN-16-WD, R3CSN-16-WD

WAC LIGHTING

13. Connect the light engine to the housing using the power connector. Insert the light engine into the housing until it is secured by two spring clips on each side (See FIG. 13).
14. For aiming of adjustable or wall wash fixtures: Push the side of the light engine using your hand to increase the tilt angle of the light engine (See FIG. 14). To decrease the tilt angle, insert a screwdriver into the opening on the side of the light engine and pull the light engine into the desired position (See FIG. 15). NOTE: For a standard wall wash angle, please align the clip with the "W" symbol on the light engine (See FIG. 16).

FIG 13

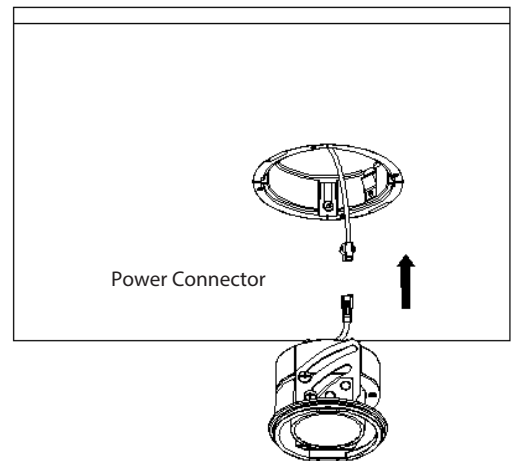


FIG 14

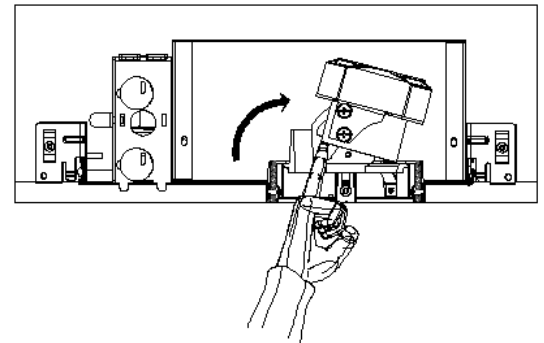


FIG 16

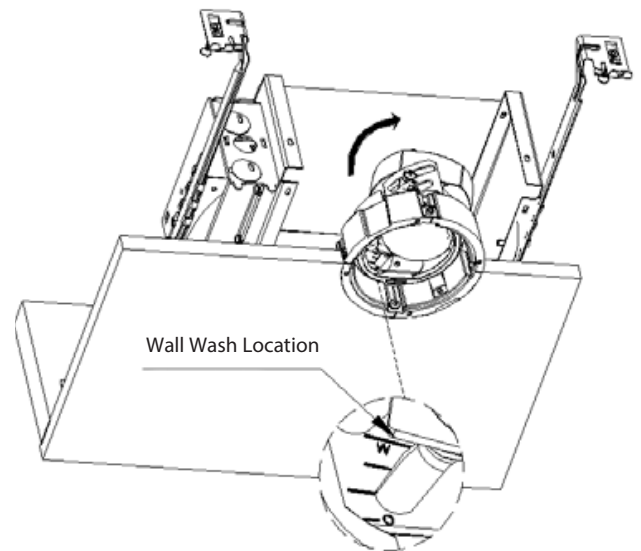
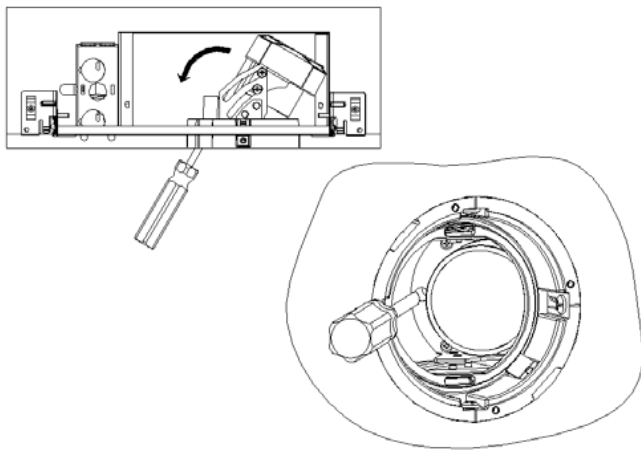


FIG 15



15. Refer to installation instructions for appropriate trims to complete the installation.

wacighting.com
Phone (800) 526.2588
Fax (800) 526.2585

Headquarters/Eastern Distribution Center
44 Harbor Park Drive
Port Washington, NY 11050

Central Distribution Center
1600 Distribution Ct
Lithia Springs, GA 30122

Western Distribution Center
1750 Archibald Avenue
Ontario, CA 91760

INSTALLATION INSTRUCTION

Oculux Architectural 3.5" Dim- To-Warm

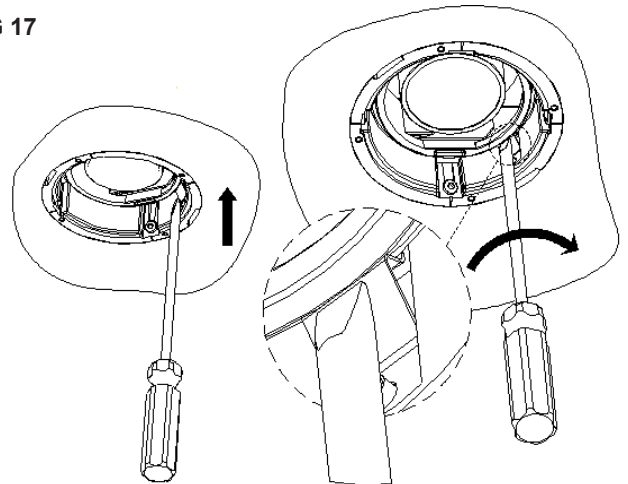
R3CRN-13-WD, R3CSN-13-WD, R3CRN-16-WD, R3CSN-16-WD

WAC LIGHTING

Light Engine Replacement:

1. To remove the light engine from the housing, use a flathead screwdriver to press down on the spring clips on each side until the light engine is released (See FIG. 17).

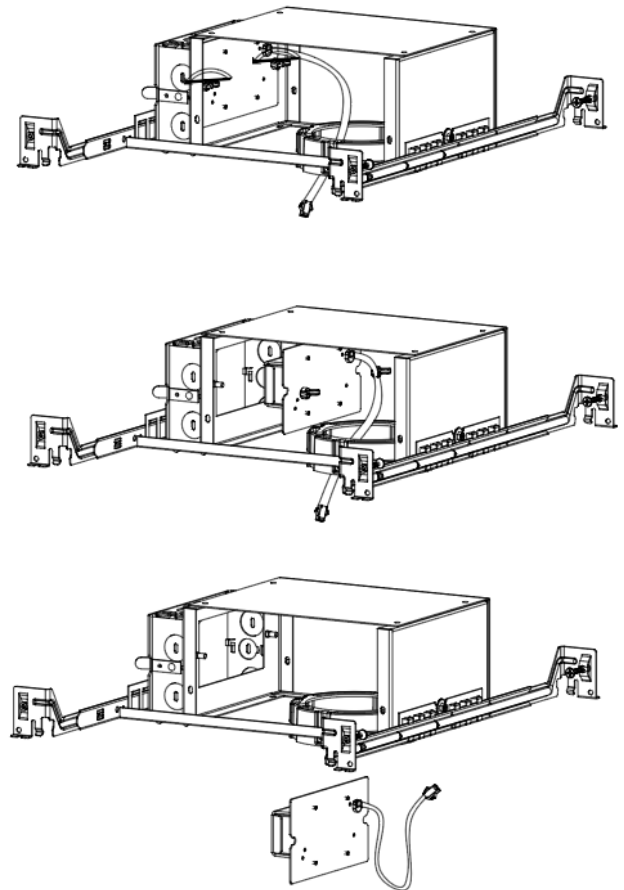
FIG 17



Driver Replacement:

1. To replace the driver, unscrew the wingnuts on the inside the housing. Gently remove the driver assembly through aperture. Reverse process to secure driver assembly back into its original position (See FIG. 18). To allow for more space when working in the housing, remove the adjustable collar by unscrewing 4 screws.

FIG 18



wacighting.com
Phone (800) 526.2588
Fax (800) 526.2585

Headquarters/Eastern Distribution Center
44 Harbor Park Drive
Port Washington, NY 11050

Central Distribution Center
1600 Distribution Ct
Lithia Springs, GA 30122

Western Distribution Center
1750 Archibald Avenue
Ontario, CA 91760