

INSTALLATION INSTRUCTION

InvisiLED® Outdoor Master Controller

LED-TO24-CM

WAC LIGHTING
Responsible Lighting®

KEY SPECIFICATIONS:

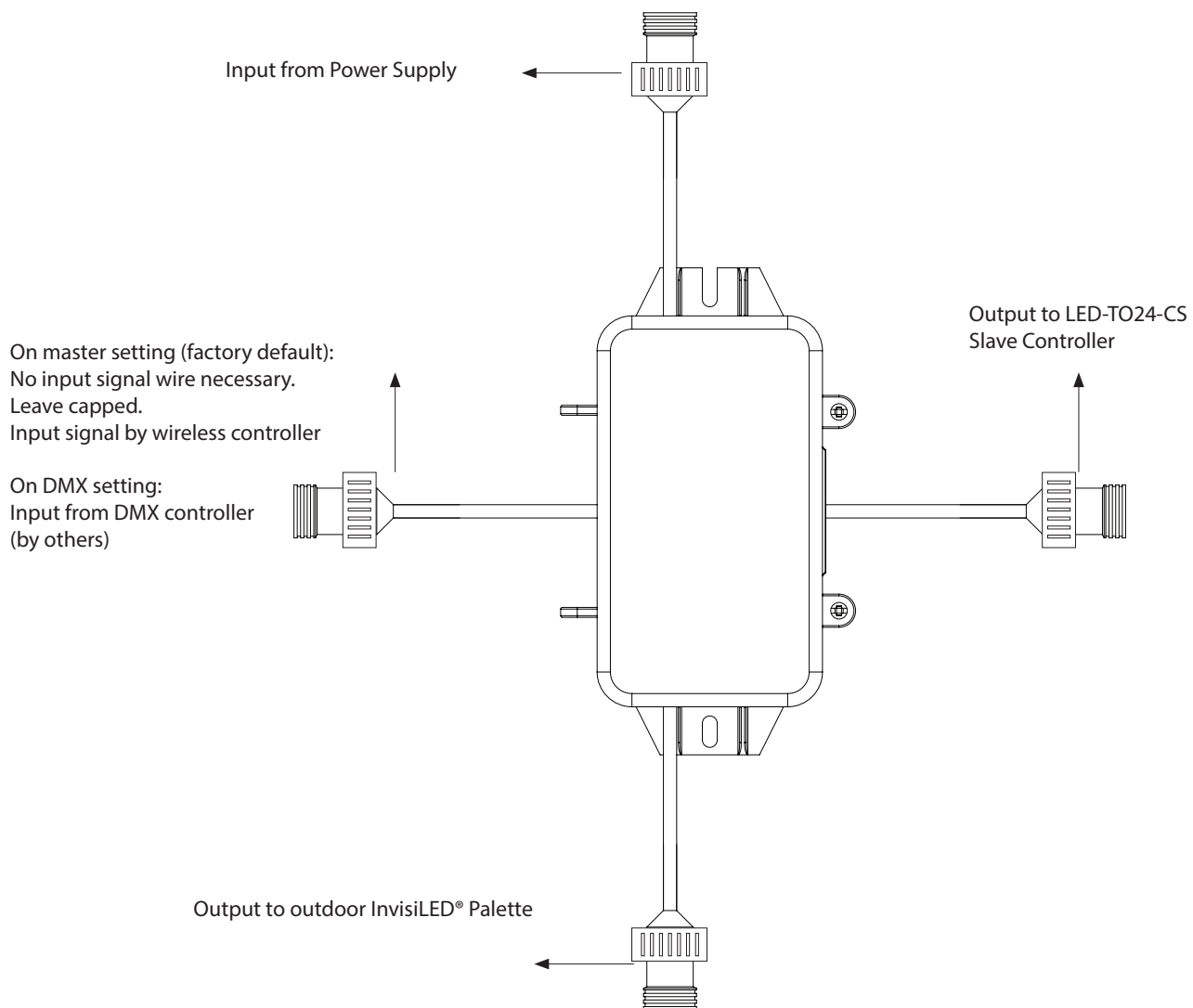
Overall dimensions:	4 ¾" x 2 ¾" x 1 ¾" (121mm x71mm x42mm)
Min/max run length:	Up to 40ft of INVISILED® Palette per 24V 96W DC power supply and controller.
Power Supply:	24V DC power supply, Class II
Current:	4.2A Maximum
IP rated:	65

Application: Intended for outdoor use with INVISILED® Palette 24V Outdoor tape light.

The recommended ambient environment temperature is -40°F to 122°F (-40°C to 50°C). This outdoor system provides flexible, easy-to-install accent lighting solutions for a broad range of applications. Versatile and adaptable, this system is ideal for numerous outdoor applications such as decks, steps, ponds, fountains, pools, architectural accents, and landscapes.

This product is designed for INVISILED® Palette 24V Outdoor tape light series and is compatible with WAC LED-TO24-CS.

PRODUCT OVERVIEW



waclighting.com
Phone (800) 526.2588
Fax (800) 526.2585

Headquarters/Eastern Factory
44 Harbor Park Drive
Port Washington, NY 11050

Central Factory
1600 Distribution Ct
Lithia Springs, GA 30122

Western Factory
1750 Archibald Avenue
Ontario, CA 91760

INSTALLATION INSTRUCTION

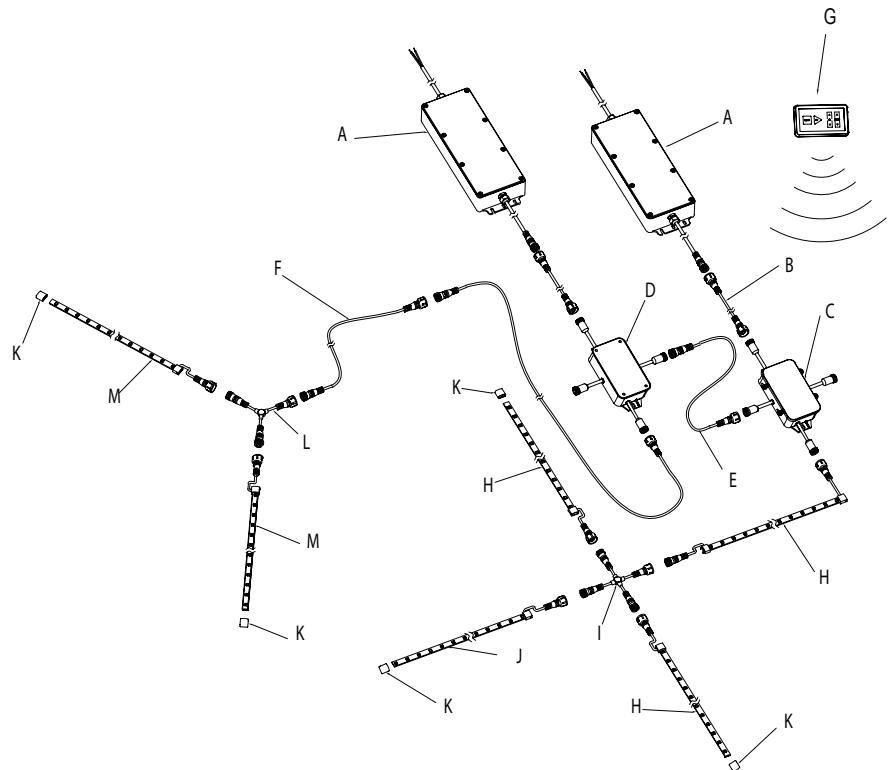
InvisiLED® Outdoor Master Controller

LED-TO24-CM

WAC LIGHTING
Responsible Lighting®

SAMPLE LAYOUT

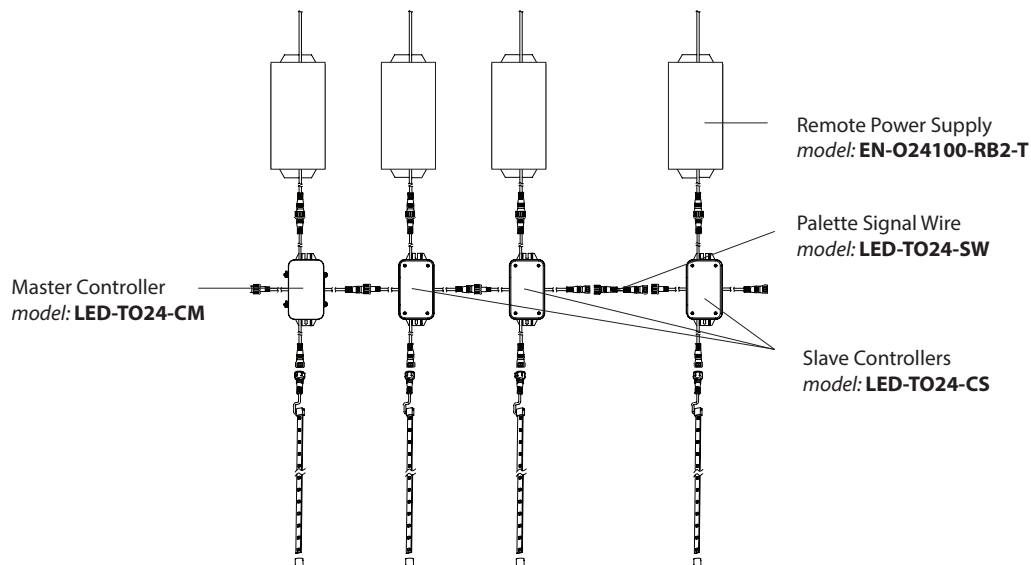
A	EN-O24100-RB2-T	Remote power supply
B	LED-TO24-IC6	Joiner cable
C	LED-TO24-CM	Master controller
D	LED-TO24-CS	Slave controller
E	LED-TO24-SW60	Palette signal wire
F	LED-TO24-IC72-RGB	RGB Joiner cable
G	LED-TO24-WS	Palette wireless controller
H	LED-TCO-1-RGB	1 foot Palette tape section
I	LED-TO24-X-RGB	Palette X connector
J	LED-TCO-10-RGB	10 foot Palette tape section
K	LED-TO24-EC	End cap
L	LED-TO24-Y-RGB	Palette Y connector
M	LED-TCO-5-RGB	5 foot Palette tape section



FUNCTION

ON MASTER SETTING (FACTORY DEFAULT) - FOR CONTROL BY WIRELESS CONTROLLER

Follow instruction for wireless controller (LED-TO24-WS) to pair wireless controller with master controller. Once paired, the master controller will respond to the remote control functions. To operate the remote control, please refer to the remote control instruction sheet. Subsequent slave controllers can be linked to and will follow the signal of the master controller as follows:



Caution: One master controller can be connected to 20 slave controllers. In order to avoid duplicate signals, the same network is not to have more than one master controller in operation. Do not install under water.

wacighting.com
Phone (800) 526.2588
Fax (800) 526.2585

Headquarters/Eastern Factory
44 Harbor Park Drive
Port Washington, NY 11050

Central Factory
1600 Distribution Ct
Lithia Springs, GA 30122

Western Factory
1750 Archibald Avenue
Ontario, CA 91760

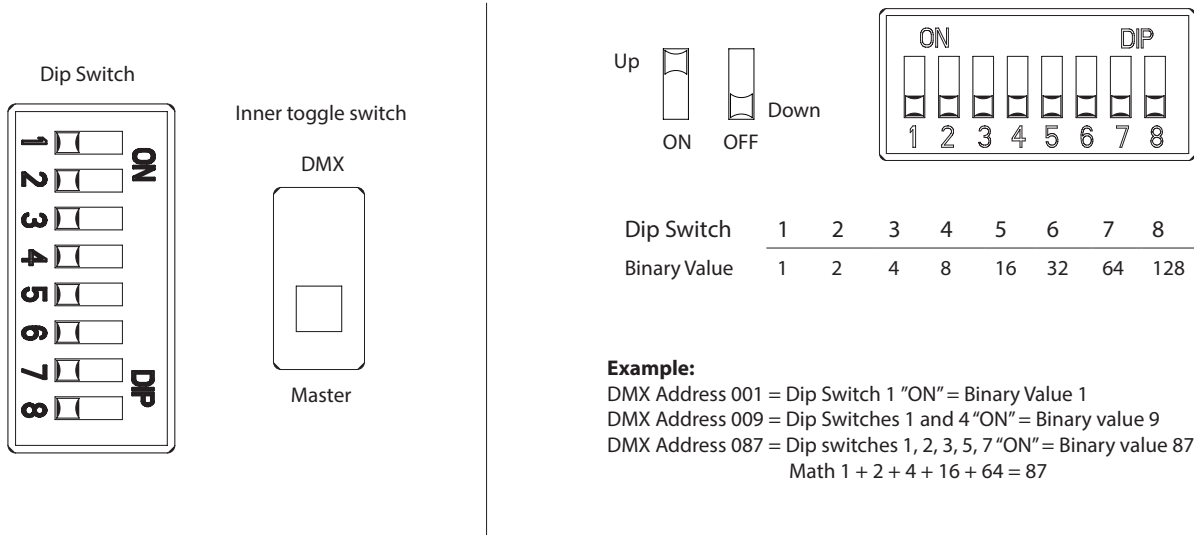
INSTALLATION INSTRUCTION
InvisiLED® Outdoor Master Controller
LED-TO24-CM

WAC LIGHTING
 Responsible Lighting®

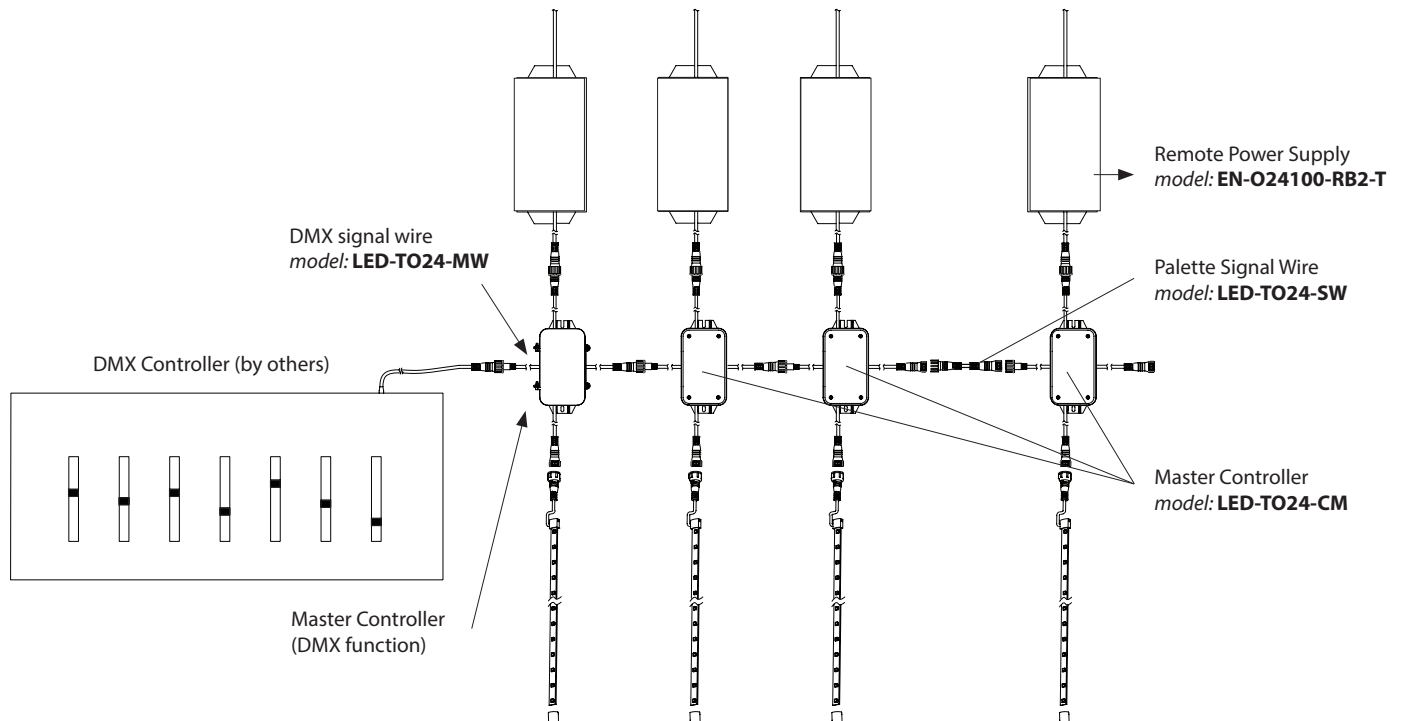
On DMX Setting:

The default function of LED-TO24-CM is MASTER. To use with external DMX input, make sure no power is being supplied to the controller, open the enclosure by removing the 2 screws on the controller cover. Swing open the cover and carefully slide the inner toggle switch from the down position to the up position. Make necessary DIP address adjustments. Use the binary dip switch to set the DMX address of master controller.

Close cover and reinstall screws after adjustments are made to maintain seal.



- To control and program several LED-TO24-CM controllers with DMX function individually, connect the first LED-TO24-CM to DMX controller with DMX signal wire LED-TO24-MW. Connect the remaining LED-TO24-CM in line using signal wire LED-TO24-SW. Set the DMX address of each LED-TO24-CM using dip switches, each controller can now be addressed individually.



waclighting.com
 Phone (800) 526.2588
 Fax (800) 526.2585

Headquarters/Eastern Factory
 44 Harbor Park Drive
 Port Washington, NY 11050

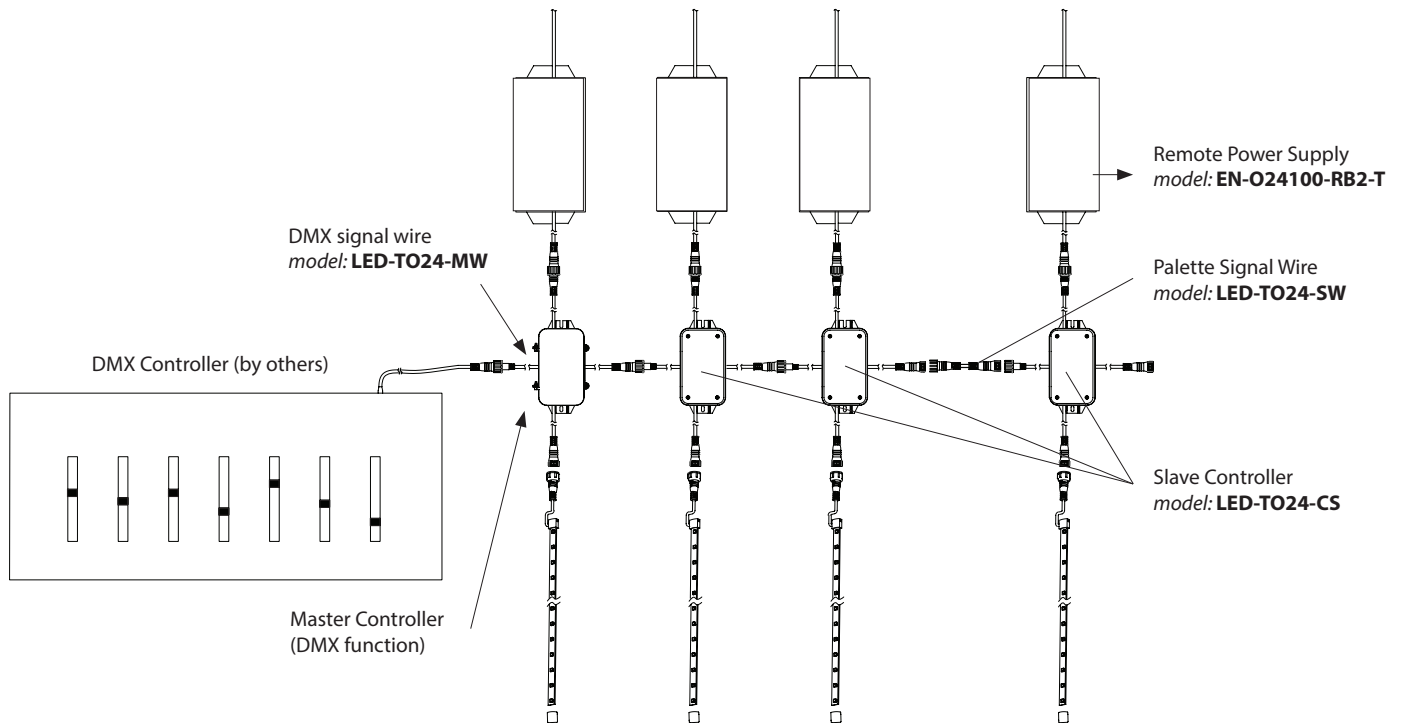
Central Factory
 1600 Distribution Ct
 Lithia Springs, GA 30122

Western Factory
 1750 Archibald Avenue
 Ontario, CA 91760

INSTALLATION INSTRUCTION
InvisiLED® Outdoor Master Controller
LED-TO24-CM

WAC LIGHTING
Responsible Lighting®

2. To control several controller on a single DMX address, set master controller to DMX function. Connect the master controller to DMX controller (by others) wiring DMX signal wire. Settle address of master controller using DIP switches. Connect subsequent slave controllers for line to master controller using signal wire. Input signals to master controller will be carried through the slave controllers.



waclighting.com
Phone (800) 526.2588
Fax (800) 526.2585

Headquarters/Eastern Factory
44 Harbor Park Drive
Port Washington, NY 11050

Central Factory
1600 Distribution Ct
Lithia Springs, GA 30122

Western Factory
1750 Archibald Avenue
Ontario, CA 91760