

WAC LIGHTING

Fixture Type: _____

Catalog Number: _____

Project: _____

Location: _____

Turbo Bath & Vanity Light

Model	Color Temp & CRI	Lumens	Finish
WS-180414	30 3000K - 90	950	BN Brushed Nickel
	35 3500K - 90	1000	CH Chrome

Example: **WS-180414-30-BN**

DESCRIPTION

With soft illumination diffused through translucent acrylic, Turbo adds a clean, modern look to baths and other types of modern dcor.

FEATURES

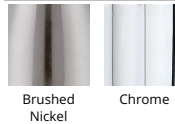
- Multiple LED array for uniform illumination
- Driver concealed within the fixture
- 5 year warranty

SPECIFICATIONS

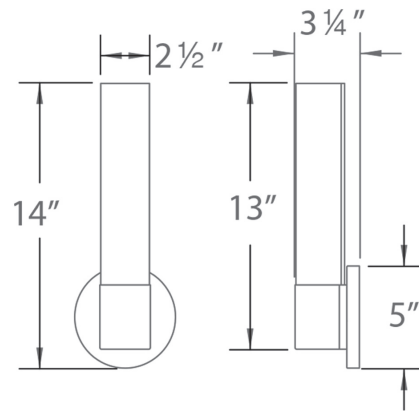
Color Temp:	3000K, 3500K
Input:	120-277 VAC, 50/60Hz
CRI:	90
Dimming:	ELV: 100-5%, TRIAC: 100-5%
Rated Life:	50000 Hours
Mounting:	Installs over a 3" or 4" Junction Box, Can be mounted on ceiling or wall in all orientations, Can be mounted on ceiling or wall vertically
Standards:	ETL, cETL, Title 24 JA8-2016 Compliant, Energy Star 2.0 Damp Location Listed
Construction:	Nickel plated steel with polycarbonate diffuser



FINISHES



LINE DRAWING



WS-180414

Fixture Type: _____

Catalog Number: _____

Project: _____

Location: _____

Turbo Bath & Vanity Light

Model	Color Temp & CRI	Lumens	Finish
WS-180424	30 3000K - 90	1480	BN Brushed Nickel
	35 3500K - 90	1570	CH Chrome

Example: **WS-180424-30-BN**

DESCRIPTION

With soft illumination diffused through translucent acrylic, Turbo adds a clean, modern look to baths and other types of modern dcor.

FEATURES

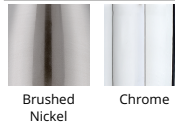
- Multiple LED array for uniform illumination
- Driver concealed within the fixture
- 5 year warranty

SPECIFICATIONS

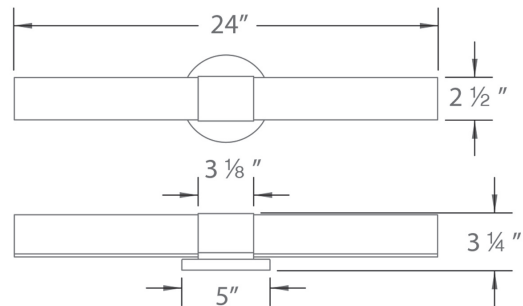
Color Temp:	3000K, 3500K
Input:	120-277 VAC, 50/60Hz
CRI:	90
Dimming:	ELV: 100-5%, TRIAC: 100-5%
Rated Life:	50000 Hours
Mounting:	Installs over a 3" or 4" Junction Box, Can be mounted on ceiling or wall in all orientations, Can be mounted on ceiling or wall vertically
Standards:	ETL, cETL, Title 24 JA8-2016 Compliant, Energy Star 2.0 Damp Location Listed
Construction:	Nickel plated steel with polycarbonate diffuser



FINISHES



LINE DRAWING



WS-180424