

INSTALLATION INSTRUCTION

Quick Connect® Adapter - W Track

EN-WQ50AR

WAC LIGHTING
Responsible Lighting®

WARNING:

IMPORTANT: NEVER attempt any work without shutting off the electricity.

- Read all instructions before installing.
- System is intended for installation by a qualified electrician in accordance with the National Electrical Code and local regulations.
- Go to the main fuse box, or circuit breaker. Place the main power switch in the "OFF" position and unscrew the fuse(s) or switch "OFF" the circuit breaker switch(es) that control the power to the fixture or room that you are working on.
- Place the wall switch in the "OFF" position.

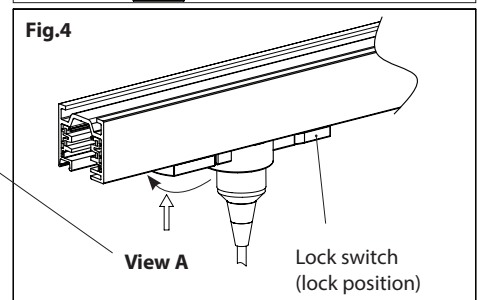
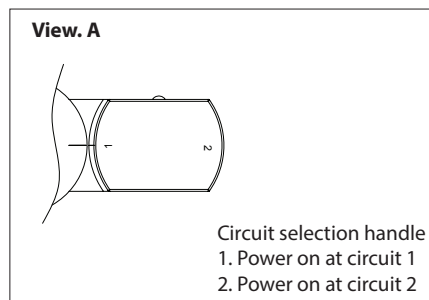
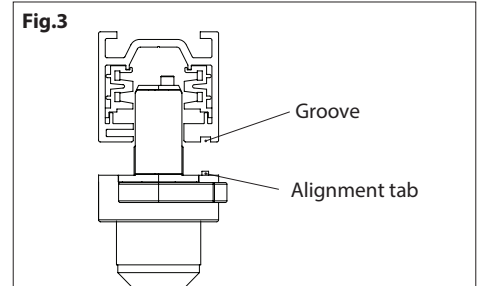
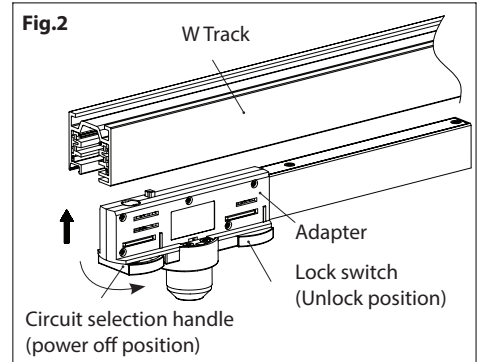
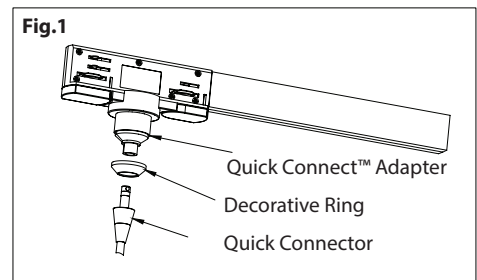
AVERTISSEMENT

IMPORTANT : Coupez l'électricité avant TOUTE manipulation.

- Lisez toutes les instructions avant d'installer.
- Système est destiné à être installé par un électricien qualifié en conformité avec le code national de l'électricité et les règlements locaux.
- Accédez au panneau central de disjoncteurs ou de fusibles de votre demeure et placez l'interrupteur principal en position d'arrêt (« OFF »).
- Placez l'interrupteur mural en position d'arrêt (« OFF »).

INSTALLING ON TRACK

1. Insert the Quick Connector with decorative ring into Quick Connect® adapter (**Fig 1**). Then twist to tighten the connection.
2. Turn the lock switch to unlock position and circuit selection handle is in the off position. (**Fig 2**).
3. Align the alignment tab on the adapter with the groove/slot on the W track (**Fig 3**). Once aligned, insert adapter into the track.
4. Secure the fixture to the track by turning the lock switch to its locked position. (**Fig 4**)
5. Select the circuit you want the luminaire to be powered on by rotating the circuit selection handle to circuit 1 or 2. (**View A**)
6. Switch the main fuse breaker and circuit breaker back to "ON" position.



WAC Lighting
www.waclighting.com
Phone (800) 526.2588 • Fax (800) 526.2585

Headquarters/Eastern Distribution Center
44 Harbor Park Drive • Port Washington, NY 11050
Phone (516) 515.5000 • Fax (516) 515.5050

Western Distribution Center
1750 Archibald Ave • Ontario, CA 91761
Phone (800) 526.2588 • Fax (800) 526.2585