

# INSTALLATION INSTRUCTION

## Tesla LED Multiple Spots Energy Star®

MT-5LD125H-NA, MT-5LD225H-NA, MT-5LD325H-NA, MT-5LD425H-NA, MT-5LD445H-NA

WAC LIGHTING  
Responsible Lighting®

### WARNING

IMPORTANT: NEVER attempt any work without shutting off the electricity.

- Read all instructions before installing.
- System is intended for installation by a qualified electrician in accordance with the National Electrical Code and local regulations.
- Go to the main fuse box, or circuit breaker. Place the main power switch in the "OFF" position and unscrew the fuse(s) or switch "OFF" the circuit breaker switch(es) that control the power to the fixture or room that you are working on.
- Place the wall switch in the "OFF" position.

### CAUTION

- All parts must be used as indicated in these instructions. Do not substitute any parts, leave parts out, or use any parts that are worn out or broken. Failure to follow this instruction could invalidate the ETL/CETL listing of this fixture. CAUTION When handling the fixture, do not apply pressure to the LEDs. Hold the fixture by the base only.

### AVERTISSEMENT

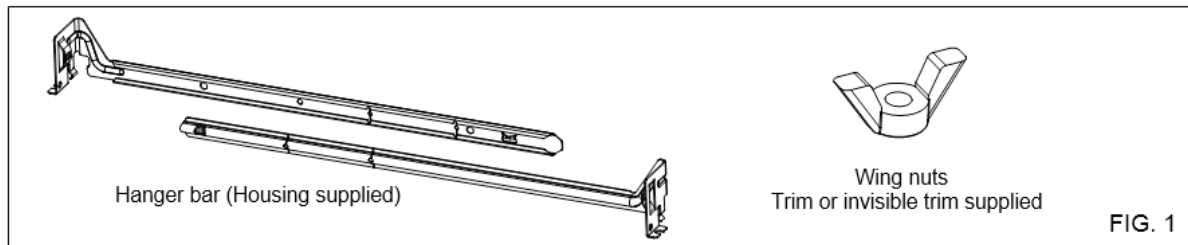
IMPORTANT : Coupez l'électricité avant TOUTE manipulation.

- Lisez toutes les instructions avant d'installer.
- Système est destiné à être installé par un électricien qualifié en conformité avec le code national de l'électricité et les règlements locaux.
- Accédez au panneau central de disjoncteurs ou de fusibles de votre demeure et placez l'interrupteur principal en position d'arrêt (« OFF »).
- Placez l'interrupteur mural en position d'arrêt (« OFF »).

### MISE EN GARDE

- Toutes les pièces doivent être utilisées tel qu'il est indiqué dans ces instructions. Ne remplacez pas les pièces, n'en laissez pas de côté et ne les utilisez pas si elles sont usées ou brisées. Le non-respect de ces instructions peut annuler l'homologation ETL/CETL du luminaire. MISE EN GARDE Ors de la manipulation de l'appareil, ne pas appliquer de pression à la LED, tenir l'appareil par la seule base.

### HARDWARE



### OVERVIEW

Housing is new construction NON-IC, AIRTIGHT. Housing requires a trim or invisible trim for finished look. Check catalog for various trim or invisible trim choices.

### HOUSING INSTALLATION

1. Install housing using hanger bar provided (See FIG.1), or using channel by others (See FIG.2). Adjust housing to the proper height by loosening the screw nuts on both adjustable brackets. Tighten the screw nuts (See FIG.2)
2. Compress adjustable mounting bracket, slide housing along bar hangers or channel into desired location.(See FIG.3)
3. Junction box is suitable for branch wiring and has trade size knockouts and integral non-metallic sheathed cable connectors.
4. Remove spring latched junction box cover (as Fig.4) and connect fixture wires to building wires: insert each supply wire into appropriate junction box connector. Connect black fixture wire to hot, white fixture wire to neutral and green fixture wire to ground (as Fig.5). Place all wiring and connectors back in junction box and replace the junction box's cover.
5. When installing in drywall, cut a hole in the ceiling (see "CUTOUT").

WAC Lighting  
www.waclighting.com  
Phone (800) 526.2588 • Fax (800) 526.2585

Headquarters/Eastern Distribution Center  
44 Harbor Park Drive • Port Washington, NY 11050  
Phone (516) 515.5000 • Fax (516) 515.5050

Western Distribution Center  
1750 Archibald Ave • Ontario, CA 91761  
Phone (800) 526.2588 • Fax (800) 526.2585

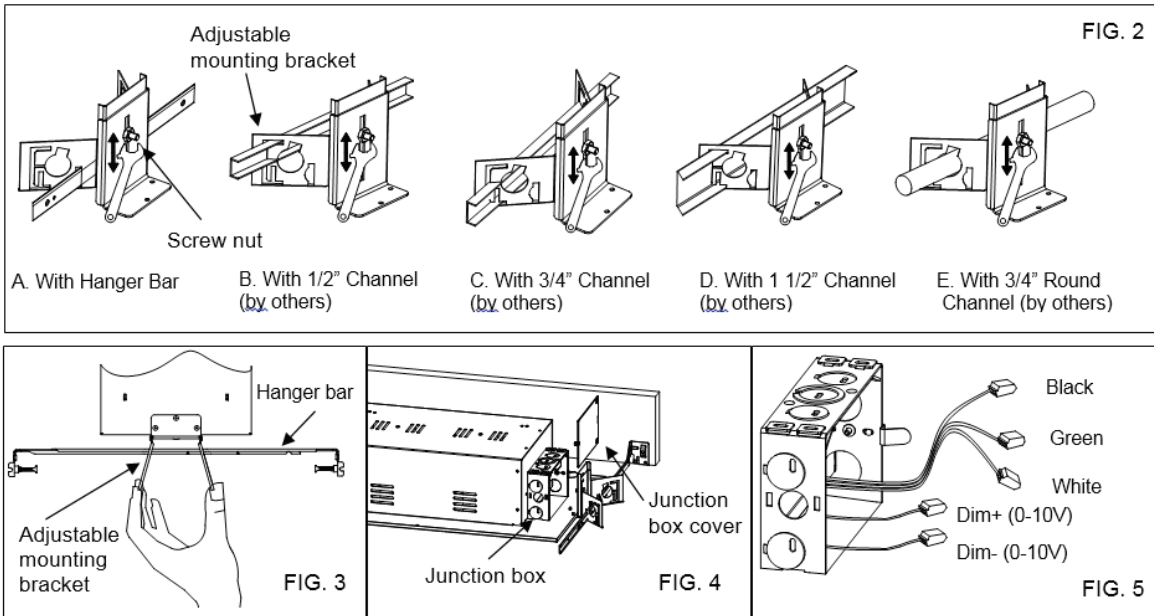
# INSTALLATION INSTRUCTION

## Tesla LED Multiple Spots Energy Star®

MT-5LD125H-NA, MT-5LD225H-NA, MT-5LD325H-NA, MT-5LD425H-NA, MT-5LD445H-NA

# WAC LIGHTING

Responsible Lighting®



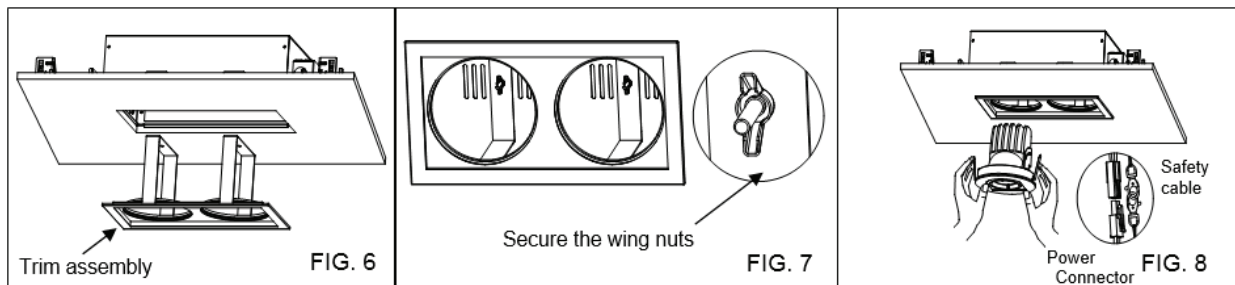
### CUTOUT

Use template supplied to make appropriate cutout for trim or invisible trim installation

Model	Trim	Cutout	Invisible trim	Cutout
MT-5LD125H-NA	MT-5LD125T-*	155mm*155mm	MT-5LD125TL-*	196mm*196mm
MT-5LD225H-NA	MT-5LD225T-*	300mm*155mm	MT-5LD225TL-*	340mm*196mm
MT-5LD325H-NA	MT-5LD325T-*	445mm*155mm	MT-5LD325TL-*	490mm*196mm
MT-5LD425H-NA	MT-5LD425T-*	592mm*155mm	MT-5LD425TL-*	635mm*196mm
MT-5LD445H-NA	MT-5LD445T-*	300mm*300mm	MT-5LD445TL-*	340mm*340mm

### TRIM INSTALLATION

1. Raise the trim assembly to the housing (see FIG.6) and secure the trim assembly to the housing, flush up against the ceiling by wing nuts supplied (see FIG.7).
2. Connect power for LED module to housing, and connect the safety cable to the clip.
3. Depress the spring chips and push the LED model to fix into the trim (See FIG.8)



WAC Lighting  
www.waclighting.com  
Phone (800) 526.2588 • Fax (800) 526.2585

Headquarters/Eastern Distribution Center  
44 Harbor Park Drive • Port Washington, NY 11050  
Phone (516) 515.5000 • Fax (516) 515.5050

Western Distribution Center  
1750 Archibald Ave • Ontario, CA 91761  
Phone (800) 526.2588 • Fax (800) 526.2585

# INSTALLATION INSTRUCTION

## Tesla LED Multiple Spots Energy Star®

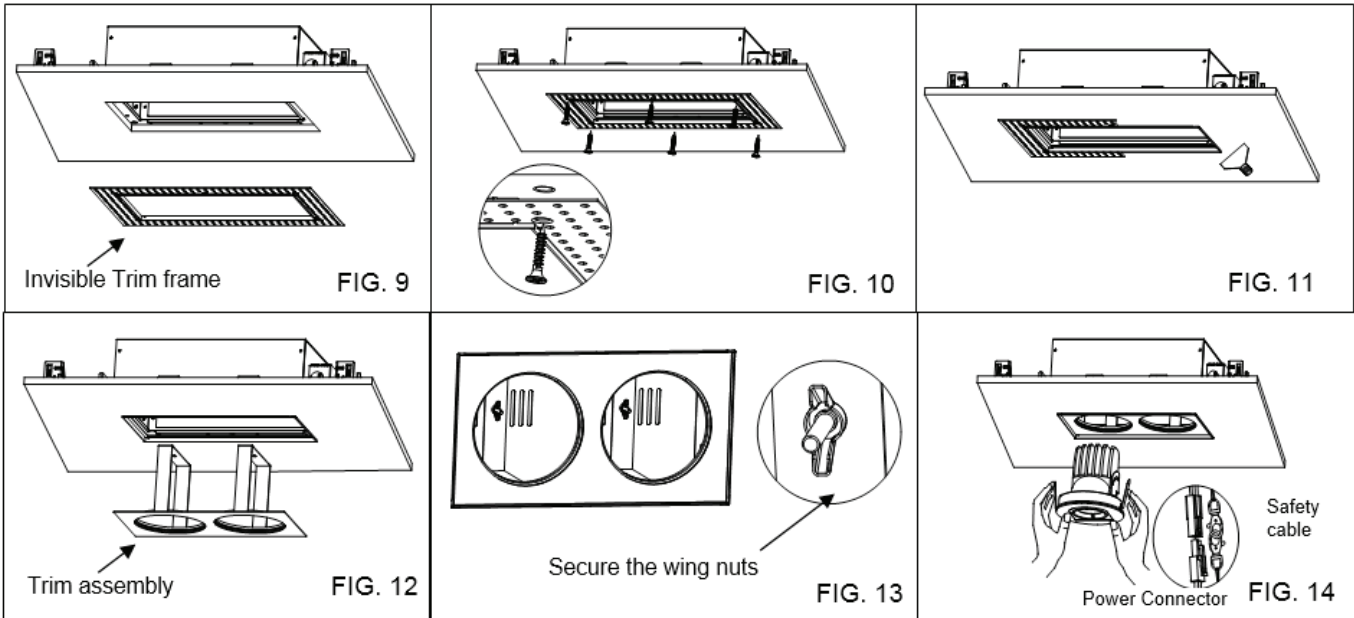
MT-5LD125H-NA, MT-5LD225H-NA, MT-5LD325H-NA, MT-5LD425H-NA, MT-5LD445H-NA

# WAC LIGHTING

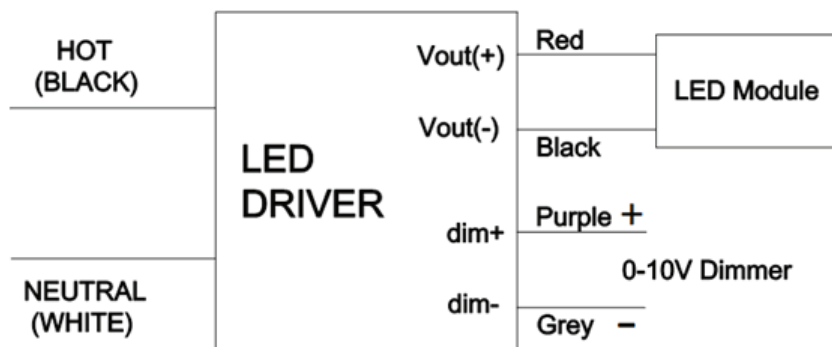
Responsible Lighting®

### TRIM INSTALLATION

1. Raise the trim assembly to the housing (see FIG.6) and secure the trim assembly to the housing, flush up against the ceiling by wing nuts supplied (see FIG.7).
2. Connect power for LED module to housing, and connect the safety cable to the clip.
3. Depress the spring chips and push the LED model to fix int



### WIRE DIMMER



### COMPLETING THE INSTALLATION

To prevent moisture from entering the outlet box and causing a short, use clear caulking (i.e. indoor/outdoor silicone sealant) to outline the outside of fixture plate where it meets the wall. Leave some space at bottom to allow moisture to escape.

WAC Lighting  
www.waclighting.com  
Phone (800) 526.2588 • Fax (800) 526.2585

Headquarters/Eastern Distribution Center  
44 Harbor Park Drive • Port Washington, NY 11050  
Phone (516) 515.5000 • Fax (516) 515.5050

Western Distribution Center  
1750 Archibald Ave • Ontario, CA 91761  
Phone (800) 526.2588 • Fax (800) 526.2585