

Fixture Type: \_\_\_\_\_

Catalog Number: \_\_\_\_\_

Project: \_\_\_\_\_

Location: \_\_\_\_\_

## Geos 15" & 22"

### Ceiling Mount

Model & Size	Color Temp & CRI	Watt	LED Lumens	Delivered Lumens	Finish
FM-4615 15"	2700K 90	29.5W	2330	1485	BR Brushed Brass
	3000K 90	28.5W	2355	1660	TT Titanium WT White

Example: **FM-4615-27-BR**

#### DESCRIPTION

Cutting-edge technology in the display industry transformed into a super-thin, less than an inch profile flush mount. Multiple mid-powered LED source illuminate the diffuser uniformly and without socket shadows common in conventional flush mounts.

#### FEATURES

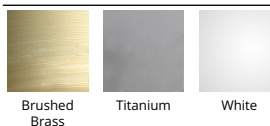
- Super thin, edge-lit LED panel at less than an inch thick
- Twist-lock quick install mechanism
- Driver installed within the Junction Box, driver dimension: 2.76" x 1.26" x 1.18"
- 5 year warranty

#### SPECIFICATIONS

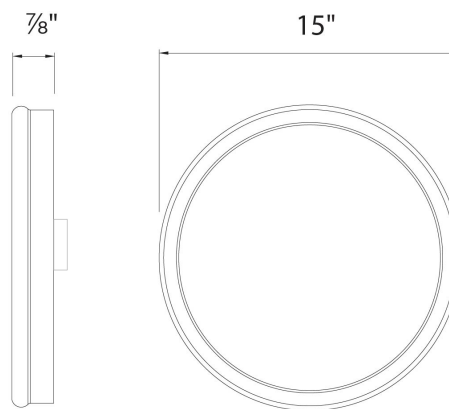
<b>Color Temp:</b>	2700K, 3000K
<b>Input:</b>	120-277 VAC, 50/60Hz
<b>CRI:</b>	90
<b>Dimming:</b>	ELV: 100 - 10%
<b>Rated Life:</b>	50000 Hours
<b>Mounting:</b>	Heavy gauge retention clips support trim firmly. Safety cabling standard., Can be mounted on ceiling or wall in all orientations
<b>Standards:</b>	ETL, cETL Damp Location Listed
<b>Construction:</b>	Aluminum body with frosted acrylic diffuser



#### FINISHES



#### LINE DRAWING



Fixture Type: \_\_\_\_\_

Catalog Number: \_\_\_\_\_

Project: \_\_\_\_\_

Location: \_\_\_\_\_

## Geos 15" & 22"

### Ceiling Mount

Model & Size	Color Temp & CRI	Watt	LED Lumens	Delivered Lumens	Finish
FM-4622 22"	2700K 90	44.5W	3745	2235	BR Brushed Brass
	3000K 90	42.5W	3785	2375	TT Titanium WT White

Example: **FM-4622-27-BR**

#### DESCRIPTION

Cutting-edge technology in the display industry transformed into a super-thin, less than an inch profile flush mount. Multiple mid-powered LED source illuminate the diffuser uniformly and without socket shadows common in conventional flush mounts.

#### FEATURES

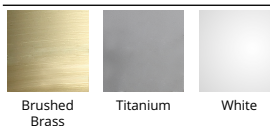
- Super thin, edge-lit LED panel at less than an inch thick
- Twist-lock quick install mechanism
- Driver installed within the Junction Box, driver dimension: 2.76" x 1.26" x 1.18"
- 5 year warranty

#### SPECIFICATIONS

<b>Color Temp:</b>	2700K, 3000K
<b>Input:</b>	120-277 VAC, 50/60Hz
<b>CRI:</b>	90
<b>Dimming:</b>	ELV: 100 - 10%
<b>Rated Life:</b>	50000 Hours
<b>Mounting:</b>	Heavy gauge retention clips support trim firmly. Safety cabling standard., Can be mounted on ceiling or wall in all orientations
<b>Standards:</b>	ETL, cETL Damp Location Listed
<b>Construction:</b>	Aluminum body with frosted acrylic diffuser



#### FINISHES



#### LINE DRAWING

