

INSTALLATION INSTRUCTION
Cartier LEDme® Track Luminaires
H-LED710, L-LED710, J-LED710

WAC LIGHTING
Responsible Lighting®

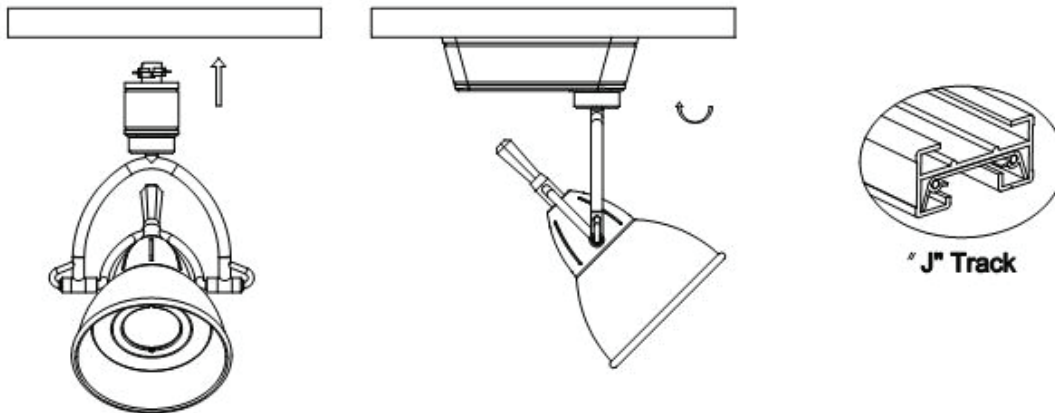
CAUTION

- For Use with WAC "J", "J2", "L", & "H" track systems. Fixture may also be used on other manufacturers' brands of track. (Consult factory for compatibility)
- Read all instructions before installing.

INSTALLATION ON TRACK:

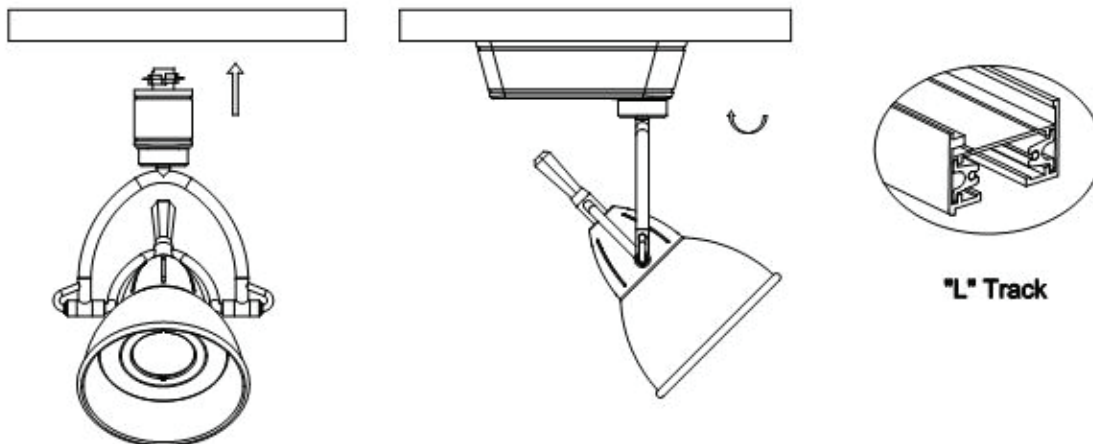
Fixture Installation for J-LED710

1. Fixtures are designed for use on "J" series WAC Lighting track only. They may also be used on other manufacturers' brands of track. (Consult factory for compatibility)
Note: The track has a groove running its length to indicate polarity, and the locking tab has a slant for easy installation.
2. Insert adapter into track slot and rotate it 90°. The "P" contact and low side of the locking tab should point to the grooved side of the track.
3. Make sure the locking tab seats properly on the track slot.
4. Reverse procedure to remove. Track heads may be positioned anywhere along the track.



FIXTURE INSTALLATION FOR L-LED710

1. Fixtures are designed for use on "L" series WAC Lighting track only. They may also be used on other manufacturers' brands of track. (Consult factory for compatibility)
Note: The track has a ridge running its length to indicate polarity, and the locking tab has a slant for easy installation.
2. Insert adapter into track slot and rotate it 90°, so that the low side of the locking tab faces the ridged side of the track.
3. Make sure the locking tabs seat properly in the track slot.
4. Reverse procedure to remove. Track heads may be positioned anywhere along the track.



WAC Lighting
www.waclighting.com
Phone (800) 526.2588 • Fax (800) 526.2585

Headquarters/Eastern Distribution Center
44 Harbor Park Drive • Port Washington, NY 11050
Phone (516) 515.5000 • Fax (516) 515.5050

Western Distribution Center
1750 Archibald Ave • Ontario, CA 91761
Phone (800) 526.2588 • Fax (800) 526.2585

INSTALLATION INSTRUCTION

Cartier LEDme® Track Luminaires

H-LED710, L-LED710, J-LED710

WAC LIGHTING

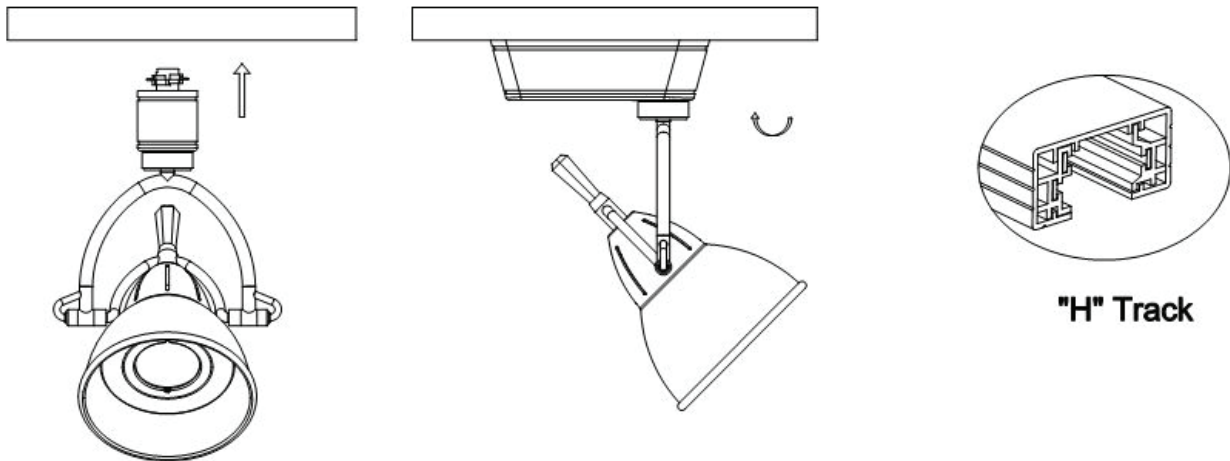
Responsible Lighting®

FIXTURE INSTALLATION FOR H-LED710

1. Fixtures are designed for use on "H" series WAC Lighting track only. They may also be used on other manufacturers' brands of track. (Consult factory for compatibility)

Note: The track has a groove running its length to indicate polarity, and the locking tab has a slant for easy installation.

2. Insert adapter into track slot, the two contacts should be positioned so that when rotated it 90°, they will face the grooved side of the track. (This is the side with two flat copper wires running its length).
3. Make sure the locking tabs seat properly in the track slot.
4. Reverse procedure to remove. Track heads may be positioned anywhere along the track.



"H" Track

WAC Lighting
www.waclighting.com
Phone (800) 526.2588 • Fax (800) 526.2585

Headquarters/Eastern Distribution Center
44 Harbor Park Drive • Port Washington, NY 11050
Phone (516) 515.5000 • Fax (516) 515.5050

Western Distribution Center
1750 Archibald Ave • Ontario, CA 91761
Phone (800) 526.2588 • Fax (800) 526.2585