

INSTALLATION INSTRUCTION

InvisiLED® Electronic Remote Transformer

EN-OD24100-RB2-T

WAC LIGHTING

Responsible Lighting®

CAUTION – TO REDUCE RISK OF FIRE AND ELECTRICAL SHOCK

- Read all instructions before installing.
- System is intended for installation by a qualified electrician in accordance with the National Electrical Code and local regulations.
- Go to the main fuse box, or circuit breaker. Place the main power switch in the "OFF" position and unscrew the fuse(s) or switch "OFF" the circuit breaker switch(es) that control the power to the fixture or room that you are working on.
- Place the wall switch in the "OFF" position.

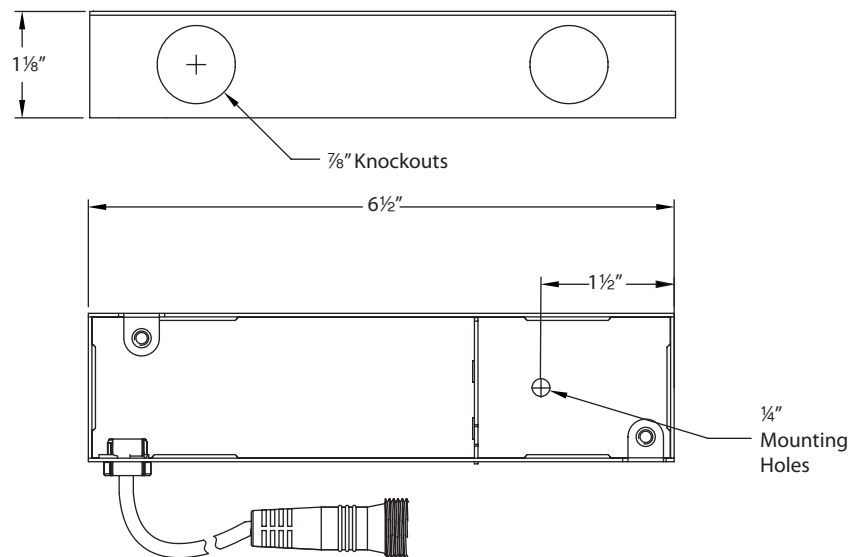
AVERTISSEMENT:

IMPORTANT : COUPEZ L'ÉLECTRICITÉ AVANT TOUTE MANIPULATION.

- Lisez toutes les instructions avant d'installer.
- Système est destiné à être installé par un électricien qualifié en conformité avec le code national de l'électricité et les règlements locaux.
- Accédez au panneau central de disjoncteurs ou de fusibles de votre demeure et placez l'interrupteur principal en position d'arrêt (« OFF »).
- Placez l'interrupteur mural en position d'arrêt (« OFF »).

MAX LOAD	96W
MIN LOAD	1W
INPUT VOLTAGE	120VAC 0.84A 50/60Hz
OUTPUT VOLTAGE	24.0VAC 4AMAX
AMBIENT TEMP	-20°C TO 50°C (-4°F TO 122°F)
INSTALLATION LOCATION	Damp location listed (Not wet location)

PRODUCT DIMENSIONS:



HARDWARE:



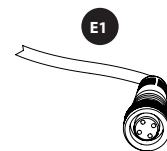
Wire Connector
Qty: 3pcs



Cover Screw
Qty: 2pcs



Mounting Screw
Qty: 2pcs



24V Outdoor Tape Light
Female Connector
Qty: 1pc

WAC Lighting

www.waclighting.com

Phone (800) 526.2588 • Fax (800) 526.2585

Headquarters/Eastern Distribution Center

44 Harbor Park Drive • Port Washington, NY 11050

Phone (516) 515.5000 • Fax (516) 515.5050

Western Distribution Center

1750 Archibald Ave • Ontario, CA 91761

Phone (800) 526.2588 • Fax (800) 526.2585

INSTALLATION INSTRUCTION

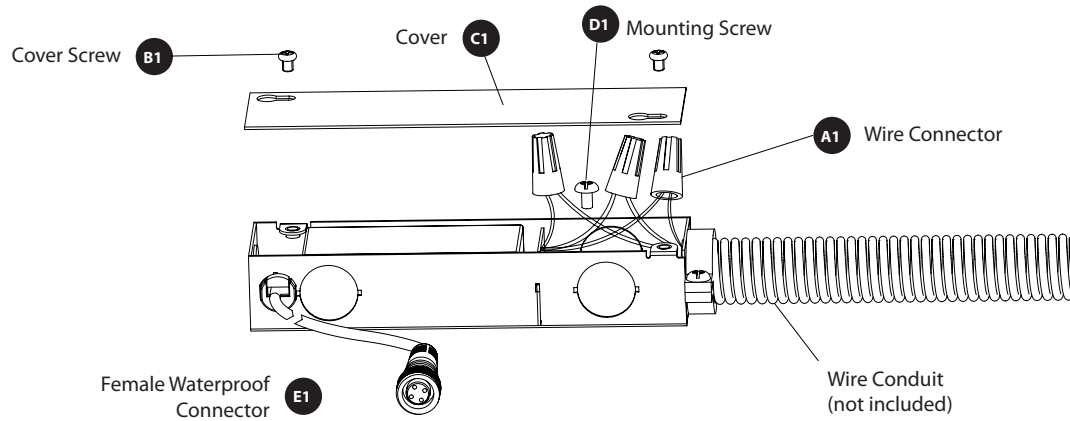
InvisiLED® Electronic Remote Transformer

EN-OD24100-RB2-T

WAC LIGHTING

Responsible Lighting®

Fig. 1



FEATURES:

- Electronic short circuit, overload, over temperature protection with auto-reset
- Class 2, UL listed
- Suitable for damp location – Locations protected from weather and not subject to saturation with water or other liquids but subject to moderate degrees of moisture.
- InvisiLED outdoor tape is wet location listed, however install EN-OD24100-RB2-T in protected damp location. If wet location power supply is required, refer to EN-O24100-RB2-T.

PREPARATION:

- Shut off the power at the circuit breaker.
- Carefully unpack your new fixture and lay out all the parts on a clear area. Be careful not to lose any small parts necessary for installation.
- Transformer is to be installed away from heat sources and accessible for service.

INSTALLATION: (FIG.1)

1. Loosen two cover screws (B1) and remove the cover (C1).
2. Secure transformer box to suitable mounting surface using mounting screw (D1).

CONNECT THE WIRES: (FIG.2)

3. Remove appropriate power feed knockout in transformer box.
4. Bring building wires into knockout using cable connector.
5. Connect the electrical wires as shown in **Fig. 2**, making sure that all wire connectors (A1) are secured.
6. Secure the cover (C1) by tightening the two screws (B1).
7. To utilize Electronic Low Voltage (ELV) dimming, wire black (line hot) and white (line neutral) in accordance to dimmer specifications.
8. Connect the output female connector of the power supply with the male connector of the InvisiLED outdoor tape. (as **Fig.3**).

Fig. 2

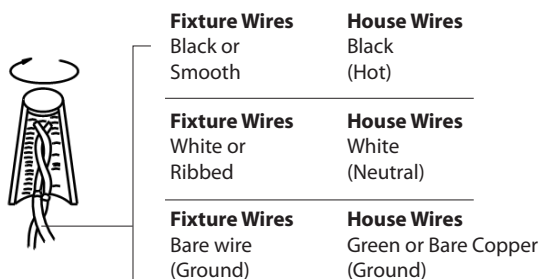
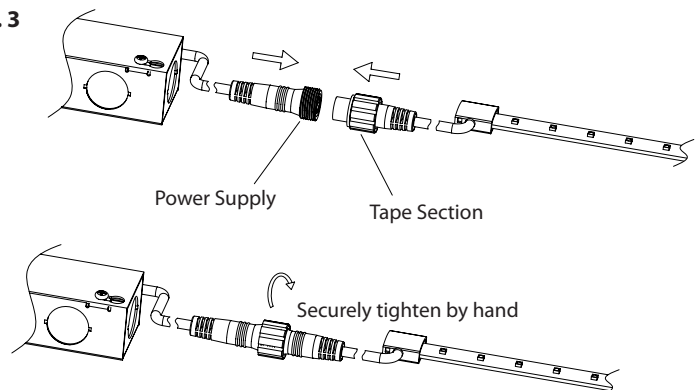


Fig. 3



WAC Lighting

www.waclighting.com

Phone (800) 526.2588 • Fax (800) 526.2585

Headquarters/Eastern Distribution Center

44 Harbor Park Drive • Port Washington, NY 11050

Phone (516) 515.5000 • Fax (516) 515.5050

Western Distribution Center

1750 Archibald Ave • Ontario, CA 91761

Phone (800) 526.2588 • Fax (800) 526.2585