

# WAC LIGHTING

Fixture Type: \_\_\_\_\_

Catalog Number: \_\_\_\_\_

Project: \_\_\_\_\_

Location: \_\_\_\_\_

## Pop-In 4" Round 5CCT

### New Construction Downlight

Model	Beam	Color Temp & CRI	Lumens	CBCP	Finish
R4DRDN	F 45°	9CS 2700K/3000K/3500K /4000K/5000K - 90	1080	1309	WT White

Example: **R4DRDN-F9CS-WT**

#### DESCRIPTION

Minimum profile downlight with driver and electrical connection box attached to fixture for easy remodel or new construction installation.

#### FEATURES

- 5-CCT Switchable between 2700K and 5000K
- Electrical box located on back of fixture to allow easy installation
- Sold as new construction, may be configured in field for remodel
- Driver concealed within the fixture
- 5 year warranty

#### SPECIFICATIONS

<b>Construction:</b>	Die-cast Aluminum with 20-gauge Cold Rolled Steel Junction Box
<b>Power:</b>	12W
<b>Input:</b>	120-277 VAC, 50/60Hz
<b>Dimming:</b>	ELV: 100-5% , TRIAC: 100-5%
<b>Light Source:</b>	Integrated LED
<b>Lens:</b>	Frosted TIR lens
<b>Rated Life:</b>	50000 Hours
<b>Mounting:</b>	New construction housings included with hanger bars
<b>Cut Out:</b>	4 1/8"
<b>Finish:</b>	Electrostatically Powder Coated: White
<b>Ceiling Thickness:</b>	1/2" - 1 1/2"
<b>Operating Temp:</b>	-4°F to 104°F (-20°C to 40°C)
<b>Standards:</b>	ETL, cETL, Wet Location Listed, Energy Star 2.0, Title 24 JA8-2019 Compliant, IC, Airtight

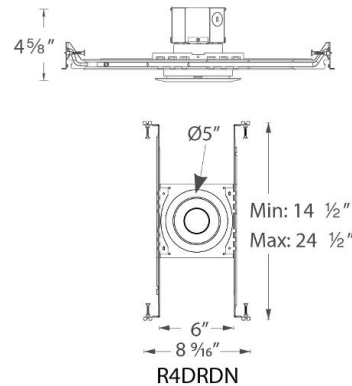


#### FINISHES:



White

#### LINE DRAWING:



R4DRDN